

B.E.G.**LUXOMAT®**

PD9-S-SDB-FC

Prod.No. 92942 EAN: 4007529929429

For extending the detection area of a Master device

Order data

Designation	Colour	Art.No
PD9-S-SDB-FC	silver	92942

Accessories

Designation	Colour	Art.No
Cover IP65 for Sensor head PD9	transparent	92958
Cover ring PD9 Ø 36 mm	anthracite	92235
Cover ring PD9 Ø 36 mm	white	92238
Cover ring PD9 Ø 36 mm	silver	92237
Cover ring PD9 Ø 45 mm	white	92327
Cover ring PD9 Ø 45 mm	silver	92346
Square design frame PD9-FC	pure white	92993

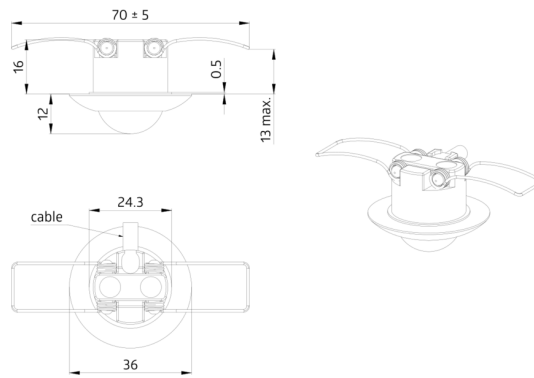
Technical data

Dimensions:	Ø 36 x 28 mm
Detection area:	horizontal 360° max. Ø 10 m across max. Ø 6 m towards max. Ø 4 m seated
Range:	
Monitored area (tangential movement):	78 m ² / 2.5 m mounting height
Mounting height min./max./recommended:	2 m / 5 m / 2.5 m
Degree / class of protection:	IP65 / Class III
Impact strength:	IK03
Material color:	silver
Cable length:	350 cm

Product information

Slave device sensor especially for moisture-proof applications, suitable to miniature occupancy detector PD9-M-1C-SDB-IP65-FC

For extending the detection area of a Master device



Accessories



Cover IP65 for Sensor head PD9
Art.No: 92958

Degree / class of protection: IP65
Housing: UV-resistant
Material color: transparent



Cover ring PD9 Ø 36 mm
Art.No: 92235

Dimensions: Ø 36 mm
Housing: polycarbonate, UV-resistant
Material color: anthracite glossy



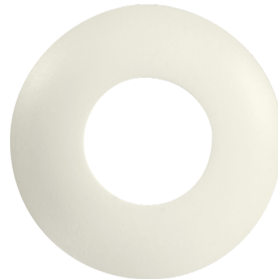
Cover ring PD9 Ø 36 mm
Art.No: 92238

Dimensions: Ø 36 mm
Housing: polycarbonate, UV-resistant
Material color: white glossy



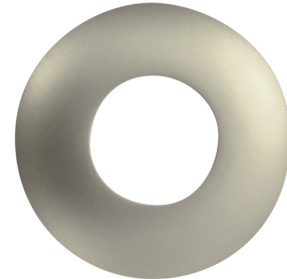
Cover ring PD9 Ø 36 mm
Art.No: 92237

Dimensions: Ø 36 mm
Housing: polycarbonate, UV-resistant
Material color: silver glossy



Cover ring PD9 Ø 45 mm
Art.No: 92327

Dimensions: Ø 45 mm
Material color: white mat



Cover ring PD9 Ø 45 mm
Art.No: 92346

Dimensions: Ø 45 mm
Material color: silver mat



Square design frame PD9-FC
Art.No: 92993

Dimensions: 45 x 45 x 2.6 mm
Housing: polycarbonate, UV-resistant
Material color: pure white mat, similar to RAL9010