

**B.E.G.****LUXOMAT<sup>®</sup>net**

## PD9-KNXs-GH-DX-FC

Prod.No. 93521 EAN: 4007529935215

- Voltage: via KNX BUS
- Dimensions: Sensor head: Ø 45 x 40 mm,  
Power supply: 129 x 29 x 22 mm
- Typ. power input: 12 mA

### Order data

Designation	Colour	Art.No
PD9-KNXs-GH-DX-FC	white	93521

### Accessories

Designation	Colour	Art.No
BLE-IR-Adapter	black	93067
IR-Adapter for Smartphones	black	92726
IR-PD-KNX	-	92123
IR-PD-KNX-Mini	-	93398
Cover ring PD9 Ø 36 mm	anthracite	92235
Cover ring PD9 Ø 36 mm	white	92238
Cover ring PD9 Ø 36 mm	silver	92237
Cover ring PD9 Ø 45 mm	white	92327
Cover ring PD9 Ø 45 mm	silver	92346
Square design frame PD9-FC	pure white	92993

## Technical data

Voltage:	via KNX BUS
Dimensions:	Sensor head: Ø 45 x 40 mm, Power supply: 129 x 29 x 22 mm
Typ. power input:	12 mA
Detection area:	horizontal 360° (Ceiling mounting)
Range:	max. Ø 3.5 m across
Monitored area (tangential movement):	9 m <sup>2</sup> / 6 m mounting height
Mounting height min./max./recommended:	5 m / 10 m / 6 m
Degree / class of protection:	IP20 / Class III
Impact strength:	IK04
Temperature measurement range:	-5 °C to +45 °C
Ambient temperature:	-25 °C to +55 °C
Housing:	polycarbonate, UV-resistant
Material color:	white mat, similar to RAL9010
Number of light sensors:	1
Number of PIR sensors:	1
KNX TP 256:	Yes
KNX Secure:	Yes
Cable length:	45 cm
Orientation light:	5 - 100 % / OFF / 1 min - 255 min
Night light:	5 - 100 %
Brightness set value:	5 - 2000 Lux

## Product information

KNX mini occupancy detector with integrated KNX bus connector, especially for large mounting heights

KNX Secure ready

HCL/RGB control

Parameterisation from ETS 5 for integration into KNX systems

Individual adaption of the PIR sensor sensitivity

Mixed light measurement using internal and remote (optional) light sensors

Intelligent semi-automatic mode, occupancy-independent regulating mode (photoelectric switch), full automatic mode

1 x Light (for regulating or switching), 1 x slave output, 3 separate HVAC-blocs

Regulation of up to three lighting groups using offset (external influence possible)

Short presence, self-adjusting follow-up time, corridor function

Various locking functions

Soft-start

Two logic modules

Recall of light scenes

Deactivatable status indicators

The product database for import into the ETS database can be downloaded from the B.E.G. homepage.

Detection area can be extended thanks to master-slave-mode

Extensive optimization options for light measurement

Measured light value is communicated to the bus

Adaption of dimming curve

Bidirectionally remote control-capable with the IR adapter and the B.E.G. smartphone app

PIN code

IR remote control-capable via IR remote control (optionally)

5 button remote control, programmable at choice (accessory)

Programming button (phys. address) can be operated via remote control

HVAC mode (0=automatic, 1=comfort, 2=stand-by, 3=economy, 4=antifreeze/heat protection)

Manual influence via external KNX push buttons possible

Function control (heartbeat, cyclical sending)

Occupancy simulation

Forced switch-off

Intelligent central-off function

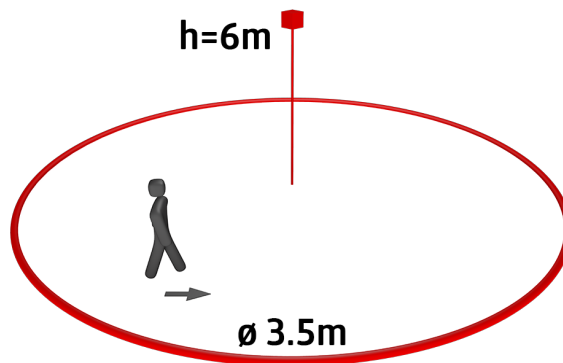
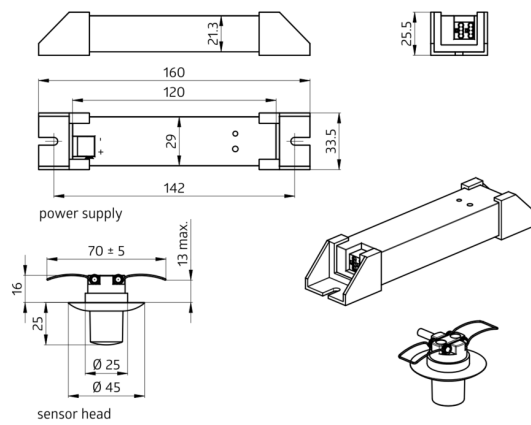
Premonition of switch-off

Burn-in function for fluorescent lamps selectable from 1h till 100h

Behaviour upon bus voltage return definable at choice

Variable safety pause after switching off the lights

**Typical application:** Monitoring of industry halls and staircases



## Accessories



**BLE-IR-Adapter**  
Art.No: 93067

Dimensions: 40 x 55 x 103 mm  
Material color: black  
Frequency: 2.4 GHz ISM band, GFSK 0.2 dBm + 5.3 dBi = 5.5 dBm



**IR-Adapter for Smartphones**  
Art.No: 92726

Dimensions: 47 x 19 x 10 mm  
Degree / class of protection: IP20  
Ambient temperature: -20 °C to +40 °C



**IR-PD-KNX**  
Art.No: 92123

Battery: 3.0 V Lithium CR2032 (inclusive)  
Dimensions: 80 x 60 x 8 mm  
Material color: -



**IR-PD-KNX-Mini**  
Art.No: 93398

Battery: 3.0 V Lithium CR2032 (inclusive)  
Dimensions: 57 x 35 x 7 mm  
Material color: -



**Cover ring PD9 Ø 36 mm**  
Art.No: 92235

Dimensions: Ø 36 mm  
Housing: polycarbonate, UV-resistant  
Material color: anthracite glossy



**Cover ring PD9 Ø 36 mm**  
Art.No: 92238

Dimensions: Ø 36 mm  
Housing: polycarbonate, UV-resistant  
Material color: white glossy



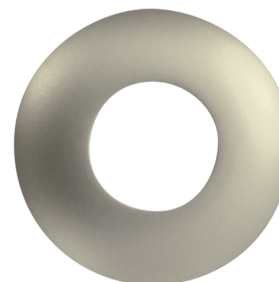
**Cover ring PD9 Ø 36 mm**  
Art.No: 92237

Dimensions: Ø 36 mm  
Housing: polycarbonate, UV-resistant  
Material color: silver glossy



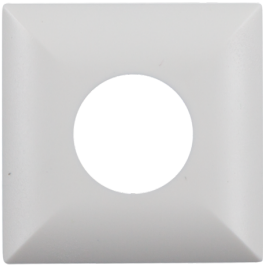
**Cover ring PD9 Ø 45 mm**  
Art.No: 92327

Dimensions: Ø 45 mm  
Material color: white mat



**Cover ring PD9 Ø 45 mm**  
Art.No: 92346

Dimensions: Ø 45 mm  
Material color: silver mat



**Square design frame PD9-FC**

Art.No: 92993

Dimensions: 45 x 45 x 2.6 mm

Housing: polycarbonate, UV-resistant

Material color: pure white mat, similar to  
RAL9010