

**B.E.G.****LUXOMAT®**

## PD4N-M-DACO-1C DALI-2

Prod.No. 93463 EAN: 4007529934638

DALI-2 PIR motion detector with integrated DALI application controller, 360° detection, and a range of up to Ø24m (450 m<sup>2</sup>), with switching relay

### Areas of application

- entrance halls
- corridors/hallways
- small offices
- open-plan offices
- conference rooms
- classrooms/seminar rooms
- sports halls/ storage rooms

### Order data

Designation	Colour	Art.No
PD4N-M-DACO-1C DALI-2	white	93463

### Accessories

Designation	Colour	Art.No
BLE-IR-Adapter	black	93067
IR-Adapter for Smartphones	black	92726
IR-PD-DALI-1C	-	92116
IR-PD-DALI	-	92094
IR-PD-DALI-LD	-	92652
IR-PD-DALI-Mini	-	92112
SM socle mounting set IP54 PD4N H	anthracite	93786
SM socle mounting set IP54 PD4N H	white	93465
SM socle mounting set IP54 PD4N H	black	93788
SM socle mounting set IP54 PD4N H	traffic white	93787
SM socle mounting set IP65 PD4N	white	93314

Corridor lens PD4N type A, Cover ring	traffic white	93742
Corridor lens PD4N type A, Cover ring	anthracite	93741
Corridor lens PD4N type A, Cover ring	black	93743
Corridor lens PD4N type A	white	93073
lens PD4N, Cover ring	anthracite	93731
lens PD4N, Cover ring	black	93733
lens PD4N, Cover ring	traffic white	93732
Wire basket BSK (Ø 200 x 90 mm)	white	92199
Wall holder PD2N/4N Typ A	traffic white	93702
Wall holder PD2N/4N Typ A	anthracite	93701
Wall holder PD2N/4N Typ A	white	93700
Wall holder PD2N/4N Typ A	black	93703
Wall holder PD2N/4N Typ A	white	93164

## Technical data

Voltage:	230 V AC $\pm$ 10% 50 Hz
Dimensions:	Ø 106 x 95 mm
Power consumption:	approx. 2 W
Slave devices:	up to 8
Detection area:	horizontal 360° (Ceiling mounting) max. Ø 24 m across max. Ø 8 m towards max. Ø 6.4 m seated
Range:	
Monitored area (tangential movement):	450 m <sup>2</sup> / 2.5 m mounting height
Mounting height min./max./recommended:	2 m / 10 m / 2.5 m
Degree / class of protection:	IP20 / Class II
Impact strength:	IK04
Ambient temperature:	-25 °C to +50 °C
Housing:	polycarbonate, UV-resistant
Material color:	white mat, similar to RAL9010

### Channel 1 (lighting control)

DALI output:	80 mA (guaranteed), 125 mA (max.), shut down mechanism
Supported control gear:	DT0, DT5, DT6, DT7
Supported control devices:	- (single master)
Follow-up time:	1 min - 150 min
Orientation light:	10 - 30 % / OFF / 5 min - 60 min / $\infty$
Brightness set value:	10 - 2500 Lux

### Channel 2 (HVAC or lighting control)

Switching power:	2300 W, $\cos \varphi$ = 1 1150 VA, $\cos \varphi$ = 0.5 800 W LED max. inrush current $I_p$ (20 ms) = 165 A
Type of contact:	1x $\mu$ -contact, dry, bistable

## Product information

Occupancy detector with integrated DALI application  
controller for energy-efficient lighting control

DALI-2 certified product

Integrated DALI power supply

DALI interface for controlling digital, dimmable ECGs in  
broadcast mode

Manual switching or dimming via conventional pushbuttons

Bidirectional IR communication enables fast integration into  
the project management function of the B.E.G. One app

Complete range of functions can only be activated using the  
BLE-IR-Adapter and a compatible Smartphone or Tablet  
(Android, iOS).

Semi-automatic, full automatic, presence-independent or  
light-independent mode adjustable

Powerful switching relay for different operating modes, e.g.  
Cut-off function for DALI ballasts, HVAC, blackboard  
illumination.

Adjustable regulation dynamics (minimum and maximum  
values)

Adjustable speed and delay of the regulation

Single master version, not networkable

Detection area can be extended by using slave devices

Mixed light measurement with internal and external light  
sensor

DALI output power can be increased with accessories

Integrated daylight harvesting circuit (or switch output)

Adjustable switch-on value

Last value - Reminder function for switch-on value

Adjustable brightness set value and reflection factor

Indication of the current light sensor value in the B.E.G. One  
App

Self-check and display of device errors in the B.E.G. One App

Status LEDs can be activated / deactivated

PIN code

Corridor function - Deactivates the possibility to switch off the  
light via the push-button

Number of DALI participants can be determined quickly and  
reliably via the B.E.G. Online DALI Line Planner

Avoidance of standby losses of the lighting system in

Follow-up time: 5 min - 120 min, Alarm pulse, Pulse  
Light measuring: Mixed light measuring

accordance with EnEV DIN V 18599-4

Software is backwards compatible with the first generation (except DSI, double lock and corridor function)

Factory setting 10 min follow-up time and 500 lux brightness set value

Including pre-assembled spring clamp with strain relief and contact protection cap for recessed ceiling mounting

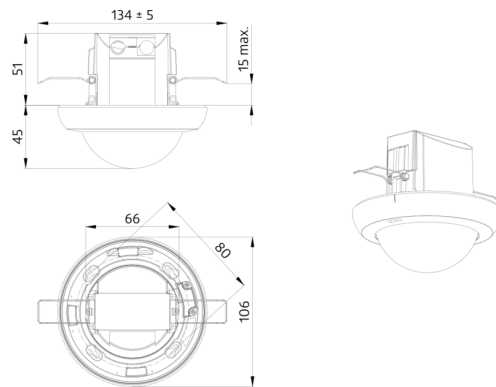
Accessory for surface mounting available

Accessories for wall mounting optionally available

Further accessories for colour matching optionally available

**Application examples:**

entrance halls, corridors/hallways, small offices, open-plan offices, conference rooms, classrooms/seminar rooms, sports halls/ storage rooms



## Accessories



**BLE-IR-Adapter**  
Art.No: 93067

Dimensions: 40 x 55 x 103 mm  
Material color: black  
Frequency: 2.4 GHz ISM band, GFSK  
0.2 dBm + 5.3 dBi = 5.5 dBm



**IR-Adapter for Smartphones**  
Art.No: 92726

Dimensions: 47 x 19 x 10 mm  
Degree / class of protection: IP20  
Ambient temperature: -20 °C to +40 °C



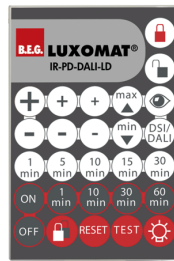
**IR-PD-DALI-1C**  
Art.No: 92116

Battery: 3.0 V Lithium CR2032 (inclusive)  
Dimensions: 80 x 60 x 8 mm  
Material color: -



**IR-PD-DALI**  
Art.No: 92094

Battery: 3.0 V Lithium CR2032 (inclusive)  
Dimensions: 80 x 60 x 8 mm  
Material color: -



**IR-PD-DALI-LD**  
Art.No: 92652

Battery: 3 x 1.5 V Micro AAA (not included)  
Dimensions: 83 x 53 x 17 mm  
Material color: -



**IR-PD-DALI-Mini**  
Art.No: 92112

Battery: 3.0 V Lithium CR2032 (inclusive)  
Dimensions: 57 x 35 x 7 mm  
Material color: -



**SM socle mounting set IP54 PD4N H**  
Art.No: 93786

Dimensions: Ø 110 x 45 mm  
Degree / class of protection: IP54  
Material color: anthracite, similar to RAL7016



**SM socle mounting set IP54 PD4N H**  
Art.No: 93465

Dimensions: Ø 110 x 45 mm  
Degree / class of protection: IP54  
Material color: white, similar to RAL9010



**SM socle mounting set IP54 PD4N H**  
Art.No: 93788

Dimensions: Ø 110 x 45 mm  
Degree / class of protection: IP54  
Material color: black, similar to RAL9005



**SM socle mounting set IP54 PD4N H**  
Art.No: 93787

Dimensions: Ø 110 x 45 mm  
Degree / class of protection: IP54  
Material color: traffic white, similar to RAL9016



**SM socle mounting set IP65 PD4N**  
Art.No: 93314

Dimensions: 133 x 133 x 69 mm  
Degree / class of protection: IP65  
Material color: white



**Corridor lens PD4N type A, Cover ring**

Art.No: 93742

Detection area: horizontal 360° (Ceiling mounting)  
Range: max. &Oslash; 40 m across<br>max. &Oslash; 20 m towards  
Monitored area (tangential movement): 250 m² / 2.5 m mounting height



**Corridor lens PD4N type A, Cover ring**

Art.No: 93741

Detection area: horizontal 360° (Ceiling mounting)  
Range: max. &Oslash; 40 m across<br>max. &Oslash; 20 m towards  
Monitored area (tangential movement): 250 m² / 2.5 m mounting height



**Corridor lens PD4N type A, Cover ring**

Art.No: 93743

Detection area: horizontal 360° (Ceiling mounting)  
Range: max. &Oslash; 40 m across<br>max. &Oslash; 20 m towards  
Monitored area (tangential movement): 250 m² / 2.5 m mounting height



**Corridor lens PD4N type A**

Art.No: 93073

Detection area: horizontal 360° (Ceiling mounting)  
Range: max. &Oslash; 40 m across<br>max. &Oslash; 20 m towards  
Monitored area (tangential movement): 250 m² / 2.5 m mounting height



**lens PD4N, Cover ring**

Art.No: 93731

Detection area: horizontal 360° (Ceiling mounting)  
Range: max. &Oslash; 24 m across<br>max. &Oslash; 8 m towards<br>max. &Oslash; 6.4 m seated  
Monitored area (tangential movement): 450 m² / 2.5 m mounting height



**lens PD4N, Cover ring**

Art.No: 93733

Detection area: horizontal 360° (Ceiling mounting)  
Range: max. &Oslash; 24 m across<br>max. &Oslash; 8 m towards<br>max. &Oslash; 6.4 m seated  
Monitored area (tangential movement): 450 m² / 2.5 m mounting height



**lens PD4N, Cover ring**

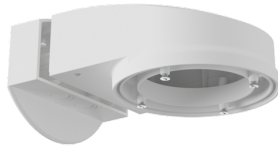
Art.No: 93732

Detection area: horizontal 360° (Ceiling mounting)  
Range: max. &Oslash; 24 m across<br>max. &Oslash; 8 m towards<br>max. &Oslash; 6.4 m seated  
Monitored area (tangential movement): 450 m² / 2.5 m mounting height



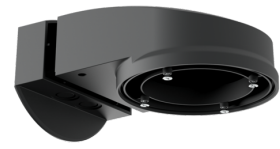
**Wire basket BSK (Ø 200 x 90 mm)**  
Art.No: 92199

Dimensions: Ø 200 x 90 mm  
Impact strength: IK09  
Housing: coated steel basket



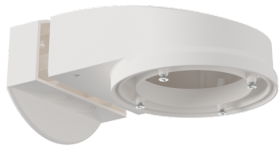
**Wall holder PD2N/4N Typ A**  
Art.No: 93702

Dimensions: 133 x 106 x 66 mm  
Degree / class of protection: IP54 /  
Class II  
Housing: polycarbonate, UV-resistant



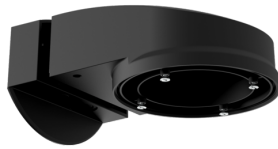
**Wall holder PD2N/4N Typ A**  
Art.No: 93701

Dimensions: 133 x 106 x 66 mm  
Degree / class of protection: IP54 / Class  
II  
Housing: polycarbonate, UV-resistant



**Wall holder PD2N/4N Typ A**  
Art.No: 93700

Dimensions: 133 x 106 x 66 mm  
Degree / class of protection: IP54 / Class  
II  
Housing: polycarbonate, UV-resistant



**Wall holder PD2N/4N Typ A**  
Art.No: 93703

Dimensions: 133 x 106 x 66 mm  
Degree / class of protection: IP54 /  
Class II  
Housing: polycarbonate, UV-resistant



**Wall holder PD2N/4N Typ A**  
Art.No: 93164

Dimensions: 133 x 106 x 66 mm  
Degree / class of protection: IP54 /  
Housing: polycarbonate, UV-resistant