



PD4N-LTMS-RR-FC Set 92709-92199

- Voltage: 16 - 48 V DC
- Dimensions: **Ø 200 x 90 mm (92199)**
- Power consumption: < 1 W

Order data

| Designation | Colour | Art.No |
|---------------------------------|--------|--------|
| PD4N-LTMS-RR-FC | white | 92709 |
| Wire basket BSK (Ø 200 x 90 mm) | white | 92199 |

Technical data

| | |
|--|---|
| Voltage: | 16 - 48 V DC |
| Dimensions: | Ø 200 x 90 mm (92199) |
| Power consumption: | < 1 W |
| Detection area: | horizontal 360° (Ceiling mounting) max. Ø 24 m across max. Ø 8 m towards |
| Range: | max. Ø 6.4 m seated |
| Monitored area (tangential movement): | 450 m ² / 2.5 m mounting height |
| Mounting height min./max./recommended: | 2 m / 10 m / 2.5 m |
| Degree / class of protection: | IP20 / Class II |
| Impact strength: | IK09 (92199) |
| Measured light output: | 0 - 1000 Lux, 0-10 V, ca. 10 mV/ Lux |
| Temperatur Ausgabe: | 0 °C - +50 °C, 0-10 V, ca. 200 mV/°C |
| Ambient temperature: | 0 °C to +50 °C |
| Housing: | polycarbonate, UV-resistant + coated steel basket (92199) |
| Material color: | white mat, similar to RAL9010 |

Channel 1

| | |
|----------------------|--------------------------------|
| Switching power: | 48 V DC / 0.1 A , cos φ = 1 |
| Type of contact (k): | μ-contact, dry NO contact |
| Follow-up time: | 1 sec - 60 min, Pulse |
| Light measuring: | Mixed light measuring |

Product information

Set : PD4N-LTMS-RR-FC + Wire basket BSK (Ø 200 x 90 mm) white

Multi-sensor for acquisition of data concerning occupancy (presence), temperature, and brightness.

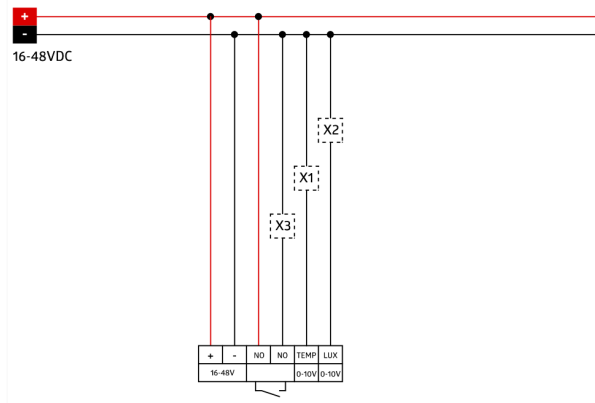
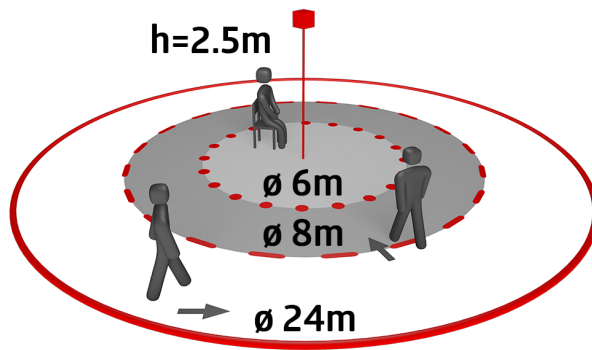
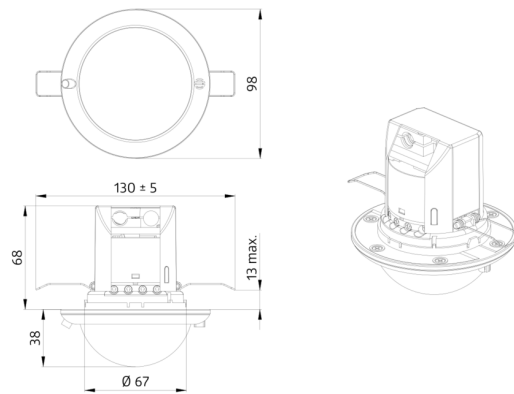
For integration into proprietary bus system

Output of current light and temperature values as analogue voltage

Output of motion detection via switch contact

Fine adjustment of output values for light measurement and temperature via potentiometer on device

Additional functions can be set up using the optional remote control.



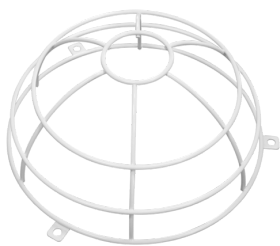
Set items

To receive the bundle according to the technical specification, please order the items listed.



PD4N-LTMS-RR-FC
Art.No: 92709

Voltage: 16 – 48 V DC
Dimensions: Ø 98 x 103 mm
Power consumption: < 1 W



Wire basket BSK (Ø 200 x 90 mm)
Art.No: 92199

Dimensions: Ø 200 x 90 mm
Impact strength: IK09
Housing: coated steel basket