



PD4N-LON-SM

Prod.No. 92834 EAN: 4007529928347

- Voltage: 24 V AC / DC +/- 20%
- Dimensions: Ø 97 x 84 mm
- Typ. power input: 12 mA at 24 V DC
20 mA at 24 V AC

Order data

Designation	Colour	Art.No
PD4N-LON-SM		92834

Accessories

Designation	Colour	Art.No
BLE-IR-Adapter	black	93067
IR-PD-LON		92835
Wire basket BSK (Ø 200 x 90 mm)	white	92199
Wall holder PD4-SM	white	92441

Technical data

Voltage:	24 V AC / DC +/- 20%
Dimensions:	Ø 97 x 84 mm
Typ. power input:	12 mA at 24 V DC 20 mA at 24 V AC
Power consumption:	< 0.5 W
Detection area:	horizontal 360° (Ceiling mounting) max. Ø 24 m across max. Ø 8 m towards max. Ø 6.4 m seated
Range:	
Monitored area (tangential movement):	450 m ² / 2.5 m mounting height
Mounting height min./max./recommended:	2 m / 10 m / 2.5 m
Degree / class of protection:	IP20 / Class II
Impact strength:	IK04
Ambient temperature:	+5 °C to +50 °C
Housing:	polycarbonate, UV-resistant white mat, similar to RAL9010
Material color:	
Brightness set value:	0 – 2000 Lux
Light measuring:	Mixed light measuring

Product information

LON occupancy detector with integrated light sensor for
daylight-dependent lighting regulation

The following device functions are provided as bus variables:

- 1 x Light sensor
- 2 x Occupancy sensor
- 2 x Occupancy & Light controller
- 2 x Occupancy controller
- 2 x Sunblind Switch
- 1 x SCC Command Module
- 3 x push button function
- 1 x Scene Panel

Full-automatic or Semi-automatic operation mode

Switching or Constant Light control modes

Easy interface to HVAC systems

FT5000 LON transceiver

All configuration properties changeable via network variables

Remote control (optional)

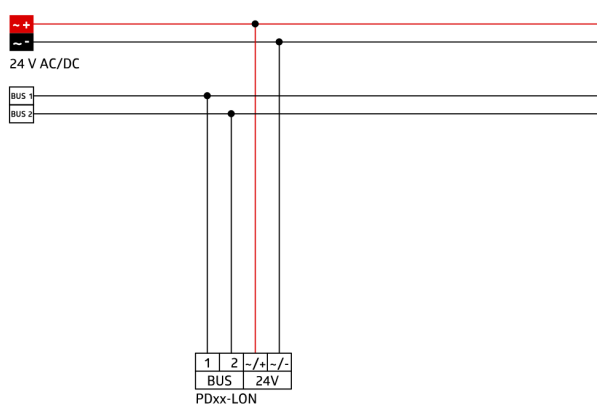
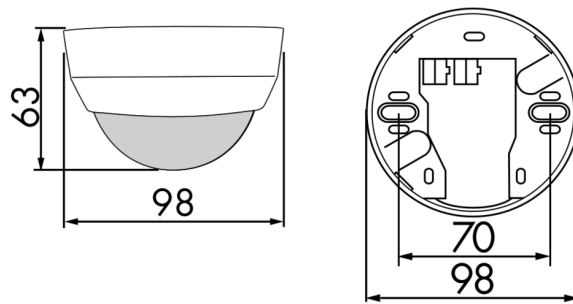
Settings with the LON installation tool

Adjustable on and off delay for orientation light when no
people are present

The products are supported up to and including Windows 7

Application examples:

staircases, small offices, open-plan offices, conference rooms,
classrooms/seminar rooms, sports halls/ storage rooms



Accessories



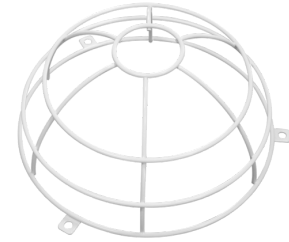
BLE-IR-Adapter
Art.No: 93067

Dimensions: 40 x 55 x 103 mm
Material color: black
Frequency: 2.4 GHz ISM band, GFSK 0.2 dBm
+ 5.3 dBi = 5.5 dBm



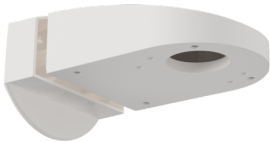
IR-PD-LON
Art.No: 92835

Battery: 3.0 V Lithium CR2032
(inclusive)
Dimensions: 80 x 60 x 8 mm
Material color: -



Wire basket BSK (Ø 200 x 90 mm)
Art.No: 92199

Dimensions: Ø 200 x 90 mm
Impact strength: IK09
Housing: coated steel basket



Wall holder PD4-SM
Art.No: 92441

Dimensions: 130 x 100 x 53 mm
Housing: polycarbonate, UV-resistant
Material color: white