



## PD4N-KNXs-ST-FM

Prod.No. 93515 EAN: 4007529935154

KNX occupancy detector with integrated KNX bus connector

KNX Secure ready

Parameterisation from ETS 5 for integration into KNX systems

### Order data

Designation	Colour	Art.No
PD4N-KNXs-ST-FM	white	93515

### Accessories

Designation	Colour	Art.No
BLE-IR-Adapter	black	93067
IR-PD-KNX	-	92123
SM socle mounting set IP54 PD2N- / PD4N-FM	white	93307
SM socle mounting set IP54 PD2N- / PD4N-FM	black	93753
SM socle mounting set IP54 PD2N- / PD4N-FM	traffic white	93752
SM socle mounting set IP54 PD2N- / PD4N-FM	anthracite	93751
SM socle mounting set IP65 PD4N	white	93314
lens PD4N, Cover ring	anthracite	93731
lens PD4N, Cover ring	black	93733
lens PD4N, Cover ring	traffic white	93732
Corridor lens PD4N type A, Cover ring	traffic white	93742

Corridor lens PD4N type A, Cover ring	anthracite	93741
Corridor lens PD4N type A, Cover ring	black	93743
Corridor lens PD4N type A	white	93073
Wire basket BSK (Ø 200 x 90 mm)	white	92199
Wall holder PD2N/4N Typ A	traffic white	93702
Wall holder PD2N/4N Typ A	anthracite	93701
Wall holder PD2N/4N Typ A	white	93700
Wall holder PD2N/4N Typ A	black	93703
Wall holder PD2N/4N Typ A	white	93164

## Technical data

Voltage:	via KNX BUS
Dimensions:	Ø 106 x 55 mm
Typ. power input:	12 mA
Detection area:	horizontal 360° (Ceiling mounting) max. Ø 24 m across max. Ø 8 m towards max. Ø 6.4 m seated
Range:	
Monitored area (tangential movement):	450 m <sup>2</sup> / 2.5 m mounting height
Mounting height min./max./recommended:	2 m / 10 m / 2.5 m
Degree / class of protection:	IP20 / Class III
Impact strength:	IK04
Ambient temperature:	-25 °C to +55 °C
Housing:	polycarbonate, UV-resistant white mat, similar to RAL9010
Material color:	
Number of light sensors:	2
Number of PIR sensors:	4
KNX TP 256:	Yes
KNX Secure:	Yes
Orientation light:	5 - 100 % / OFF / 1 min - 255 min
Night light:	5 - 100 %
Brightness set value:	5 - 2000 Lux

## Product information

KNX occupancy detector with integrated KNX bus connector

KNX Secure ready

Parameterisation from ETS 5 for integration into KNX systems

Individual adaption of detection sensitivity for each PIR sensor

PIR sensors can be deactivated individually

Direction of movement can be identified

Mixed light measurement using internal, external and remote (optional) light sensors

Intelligent semi-automatic mode, occupancy-independent regulating mode (photoelectric switch), full automatic mode

1 x Light (for regulating or switching), 1 x slave output, 3 separate HVAC-blocs

Regulation of up to three lighting groups using offset (external influence possible)

Short presence, self-adjusting follow-up time, corridor function

Various locking functions

Soft-start

Recall of light scenes

Deactivatable status indicators

The product database for import into the ETS database can be downloaded from the B.E.G. homepage.

Detection area can be extended thanks to master-slave-mode

Extensive optimization options for light measurement

Measured light value is communicated to the bus

Adaption of dimming curve

Bidirectionally remote control-capable with the IR adapter and the B.E.G. smartphone app

PIN code

IR remote control-capable via IR remote control (optionally)

Programming button (phys. address) can be operated via remote control

HVAC mode (0=automatic, 1=comfort, 2=stand-by, 3=economy, 4=antifreeze/heat protection)

Manual influence via external KNX push buttons possible

Function control (heartbeat, cyclical sending)

Forced switch-off

Intelligent central-off function

Premonition of switch-off

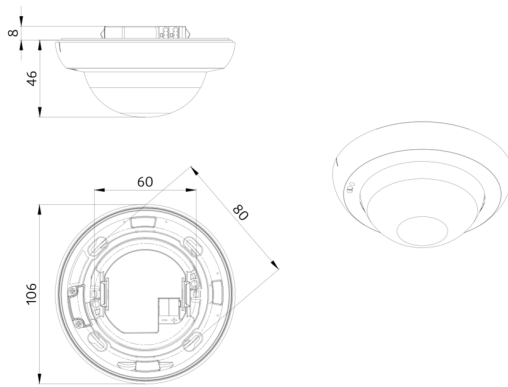
Burn-in function for fluorescent lamps selectable from 1h till 100h

Behaviour upon bus voltage return definable at choice

Variable safety pause after switching off the lights

**Typical applications:**

monitoring of large areas like underground garages, gyms, warehouses, loading ramps, halls



## Accessories



**BLE-IR-Adapter**  
Art.No: 93067

Dimensions: 40 x 55 x 103 mm  
Material color: black  
Frequency: 2.4 GHz ISM band, GFSK  
0.2 dBm + 5.3 dBi = 5.5 dBm



**IR-PD-KNX**  
Art.No: 92123

Battery: 3.0 V Lithium CR2032 (inclusive)  
Dimensions: 80 x 60 x 8 mm  
Material color: -



**SM socle mounting set IP54 PD2N- / PD4N-FM**  
Art.No: 93307

Dimensions: Ø 109 x 19 mm  
Degree / class of protection: IP54  
Material color: white, similar to RAL9010



**SM socle mounting set IP54 PD2N- / PD4N-FM**  
Art.No: 93753

Dimensions: Ø 109 x 19 mm  
Degree / class of protection: IP54  
Housing: polycarbonate, UV-resistant



**SM socle mounting set IP54 PD2N- / PD4N-FM**  
Art.No: 93752

Dimensions: Ø 109 x 19 mm  
Degree / class of protection: IP54  
Housing: polycarbonate, UV-resistant



**SM socle mounting set IP54 PD2N- / PD4N-FM**  
Art.No: 93751

Dimensions: Ø 109 x 19 mm  
Degree / class of protection: IP54  
Housing: polycarbonate, UV-resistant



**SM socle mounting set IP65 PD4N**  
Art.No: 93314

Dimensions: 133 x 133 x 69 mm  
Degree / class of protection: IP65  
Material color: white



**lens PD4N, Cover ring**  
Art.No: 93731

Detection area: horizontal 360° (Ceiling mounting)  
Range: max. &Oslash; 24 m across<br>max. &Oslash; 8 m towards<br>max. &Oslash; 6.4 m seated  
Monitored area (tangential movement): 450 m<sup>2</sup> / 2.5 m mounting height



**lens PD4N, Cover ring**  
Art.No: 93733

Detection area: horizontal 360° (Ceiling mounting)  
Range: max. &Oslash; 24 m across<br>max. &Oslash; 8 m towards<br>max. &Oslash; 6.4 m seated  
Monitored area (tangential movement): 450 m<sup>2</sup> / 2.5 m mounting height



**lens PD4N, Cover ring**

Art.No: 93732

Detection area: horizontal 360° (Ceiling mounting)

Range: max. &Oslash; 24 m across<br>max. &Oslash; 8 m towards<br>max. &Oslash; 6.4 m seated

Monitored area (tangential movement): 450 m² / 2.5 m mounting height



**Corridor lens PD4N type A, Cover ring**

Art.No: 93742

Detection area: horizontal 360° (Ceiling mounting)

Range: max. &Oslash; 40 m across<br>max. &Oslash; 20 m towards

Monitored area (tangential movement): 250 m² / 2.5 m mounting height



**Corridor lens PD4N type A, Cover ring**

Art.No: 93741

Detection area: horizontal 360° (Ceiling mounting)

Range: max. &Oslash; 40 m across<br>max. &Oslash; 20 m towards

Monitored area (tangential movement): 250 m² / 2.5 m mounting height



**Corridor lens PD4N type A, Cover ring**

Art.No: 93743

Detection area: horizontal 360° (Ceiling mounting)

Range: max. &Oslash; 40 m across<br>max. &Oslash; 20 m towards

Monitored area (tangential movement): 250 m² / 2.5 m mounting height



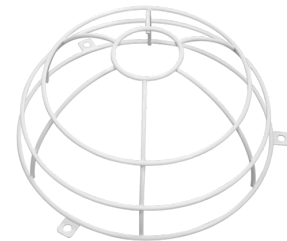
**Corridor lens PD4N type A**

Art.No: 93073

Detection area: horizontal 360° (Ceiling mounting)

Range: max. &Oslash; 40 m across<br>max. &Oslash; 20 m towards

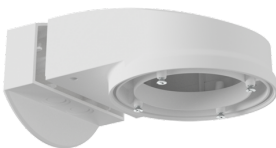
Monitored area (tangential movement): 250 m² / 2.5 m mounting height



**Wire basket BSK (Ø 200 x 90 mm)**

Art.No: 92199

Dimensions: Ø 200 x 90 mm  
Impact strength: IK09  
Housing: coated steel basket

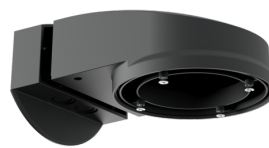


**Wall holder PD2N/4N Typ A**

Art.No: 93702

Dimensions: 133 x 106 x 66 mm  
Degree / class of protection: IP54 / Class II

Housing: polycarbonate, UV-resistant

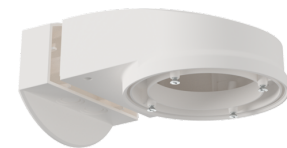


**Wall holder PD2N/4N Typ A**

Art.No: 93701

Dimensions: 133 x 106 x 66 mm  
Degree / class of protection: IP54 / Class II

Housing: polycarbonate, UV-resistant

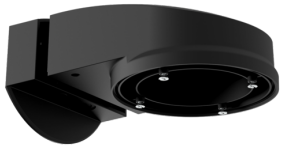


**Wall holder PD2N/4N Typ A**

Art.No: 93700

Dimensions: 133 x 106 x 66 mm  
Degree / class of protection: IP54 / Class II

Housing: polycarbonate, UV-resistant



**Wall holder PD2N/4N Typ A**

Art.No: 93703

Dimensions: 133 x 106 x 66 mm  
Degree / class of protection: IP54 / Class II  
Housing: polycarbonate, UV-resistant



**Wall holder PD2N/4N Typ A**

Art.No: 93164

Dimensions: 133 x 106 x 66 mm  
Degree / class of protection: IP54 /  
Housing: polycarbonate, UV-resistant