

**B.E.G.****LUXOMAT<sup>®</sup>net**

## PD4N-KNXs-BA-FC Set 93535-93741-92199

- Voltage: via KNX BUS
- Dimensions: **Ø 200 x 90 mm (92199)**
- Typ. power input: 12 mA

### Order data

Designation	Colour	Art.No
PD4N-KNXs-BA-FC	white	93535
Corridor lens PD4N type A, Cover ring	anthracite	93741
Wire basket BSK (Ø 200 x 90 mm)	white	92199

## Technical data

Voltage:	via KNX BUS
Dimensions:	<b>Ø 200 x 90 mm (92199)</b>
Typ. power input:	12 mA
Detection area:	<b>horizontal 360° (Ceiling mounting) (93741)</b> <b>max. Ø 40 m across</b>
Range:	<b>max. Ø 20 m towards (93741)</b>
Monitored area (tangential movement):	<b>250 m<sup>2</sup> / 2.5 m mounting height (93741)</b>
Mounting height min./max./recommended:	<b>2.4 m / 2.6 m / 2.5 m (93741)</b>
Degree / class of protection:	IP20 / Class III
Impact strength:	<b>IK09 (92199)</b>
Ambient temperature:	-25 °C to +55 °C
Housing:	<b>polycarbonate, UV-resistant + coated steel basket (92199)</b> <b>anthracite mat, similar to RAL7016 (93741)</b>
Material color:	
Number of light sensors:	2
Number of PIR sensors:	4
KNX TP 256:	Yes
KNX Secure:	Yes
Brightness set value:	5 - 2000 Lux

## Product information

Set : PD4N-KNXs-BA-FC + Corridor lens PD4N type A, Cover ring anthracite mat, similar to RAL7016 + Wire basket BSK (Ø 200 x 90 mm) white

KNX occupancy detector with integrated KNX bus connector

KNX Secure ready

Individual adaption of detection sensitivity for each PIR sensor

Mixed light measurement using internal, external and remote (optional) light sensors

Intelligent semi-automatic mode, occupancy-independent regulating mode (photoelectric switch), full automatic mode

1 x light output (for regulating or switching), 1 x slave output

Soft-start

Deactivatable status indicators

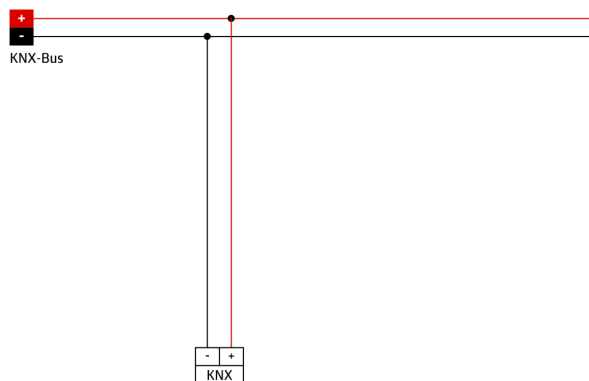
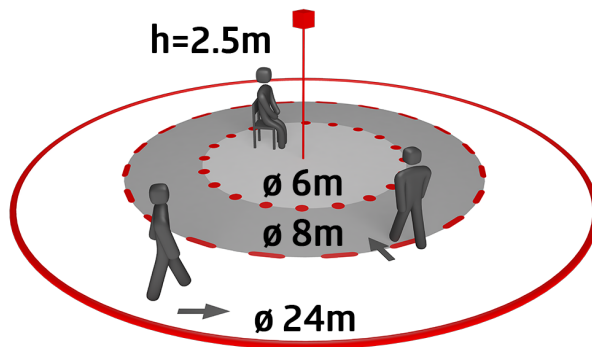
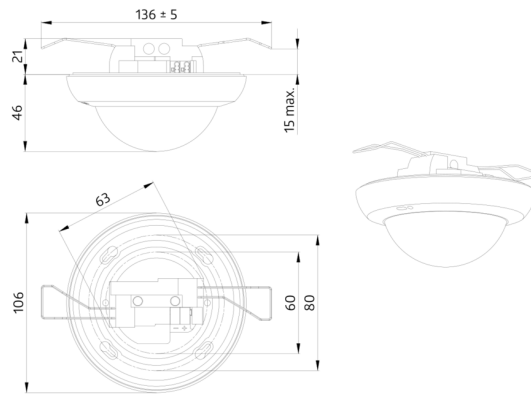
Detection area can be extended thanks to master-slave-mode

Extensive optimization options for light measurement

Measured light value is communicated to the bus

Manual influence via external KNX push buttons possible

Behaviour upon bus voltage return definable at choice



## Set items

To receive the bundle according to the technical specification, please order the items listed.



### **PD4N-KNXs-BA-FC**

Art.No: 93535

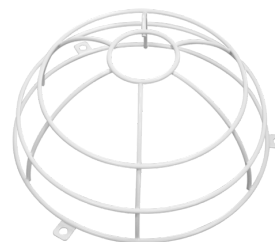
Voltage: via KNX BUS  
Dimensions: Ø 106 x 74 mm  
Typ. power input: 12 mA



### **Corridor lens PD4N type A, Cover ring**

Art.No: 93741

Detection area: horizontal 360° (Ceiling mounting)  
Range: max. Ø 40 m across  
max. Ø 20 m towards  
Monitored area (tangential movement): 250 m<sup>2</sup> / 2.5 m mounting height



### **Wire basket BSK (Ø 200 x 90 mm)**

Art.No: 92199

Dimensions: Ø 200 x 90 mm  
Impact strength: IK09  
Housing: coated steel basket