

B.E.G.**LUXOMAT[®]net**

PD4N-KNXs-BA-FC

Prod.No. 93535 EAN: 4007529935352

KNX occupancy detector with integrated KNX bus connector

KNX Secure ready

Individual adaption of detection sensitivity for each PIR sensor

Order data

Designation	Colour	Art.No
PD4N-KNXs-BA-FC	white	93535

Accessories

Designation	Colour	Art.No
SM socle mounting set IP54 PD2N- / PD4N-FM	white	93307
SM socle mounting set IP65 PD4N	white	93314
Corridor lens PD4N type A, Cover ring	traffic white	93742
Corridor lens PD4N type A, Cover ring	anthracite	93741
Corridor lens PD4N type A, Cover ring	black	93743
Corridor lens PD4N type A	white	93073
lens PD4N, Cover ring	anthracite	93731
lens PD4N, Cover ring	black	93733
lens PD4N, Cover ring	traffic white	93732
Wire basket BSK (Ø 200 x 90 mm)	white	92199

Technical data

Voltage:	via KNX BUS
Dimensions:	Ø 106 x 74 mm
Typ. power input:	12 mA
Detection area:	horizontal 360° (Ceiling mounting) max. Ø 24 m across
Range:	max. Ø 8 m towards max. Ø 6.4 m seated
Monitored area (tangential movement):	450 m ² / 2.5 m mounting height
Mounting height min./max./recommended:	2 m / 10 m / 2.5 m
Degree / class of protection:	IP20 / Class III
Impact strength:	IK04
Ambient temperature:	-25 °C to +55 °C
Housing:	polycarbonate, UV-resistant white mat, similar to RAL9010
Material color:	
Number of light sensors:	2
Number of PIR sensors:	4
KNX TP 256:	Yes
KNX Secure:	Yes
Brightness set value:	5 – 2000 Lux

Product information

KNX occupancy detector with integrated KNX bus connector

KNX Secure ready

Individual adaption of detection sensitivity for each PIR sensor

Mixed light measurement using internal, external and remote (optional) light sensors

Intelligent semi-automatic mode, occupancy-independent regulating mode (photoelectric switch), full automatic mode

1 x light output (for regulating or switching), 1 x slave output

Soft-start

Deactivatable status indicators

Detection area can be extended thanks to master-slave-mode

Extensive optimization options for light measurement

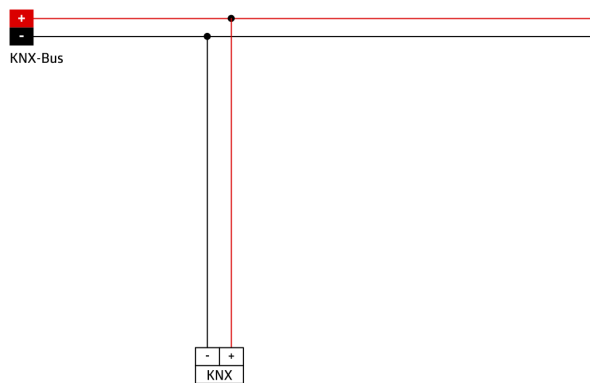
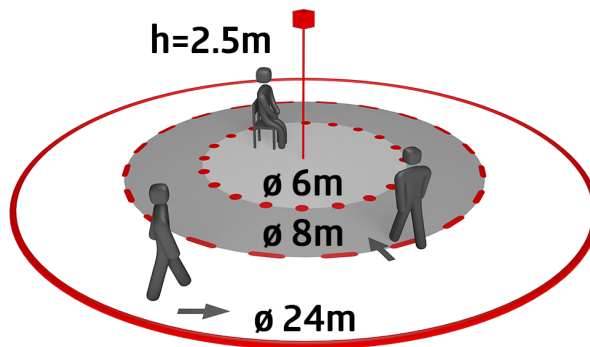
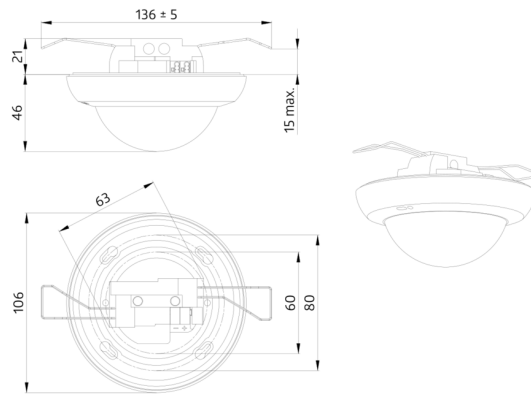
Measured light value is communicated to the bus

Manual influence via external KNX push buttons possible

Behaviour upon bus voltage return definable at choice

Typical applications:

monitoring of large areas like underground garages, gyms, warehouses, loading ramps, halls



Accessories



**SM socle mounting set IP54
PD2N- / PD4N-FM**
Art.No: 93307

Dimensions: Ø 109 x 19 mm
Degree / class of protection: IP54
Material color: white, similar to
RAL9010



**SM socle mounting set IP65
PD4N**
Art.No: 93314

Dimensions: 133 x 133 x 69 mm
Degree / class of protection: IP65
Material color: white



**Corridor lens PD4N type A, Cover
ring**

Art.No: 93742

Detection area: horizontal 360°
(Ceiling mounting)
Range: max. Ø 40 m
across
max. Ø 20 m
towards
Monitored area (tangential
movement): 250 m² / 2.5 m mounting
height



**Corridor lens PD4N type A, Cover
ring**

Art.No: 93741

Detection area: horizontal 360°
(Ceiling mounting)
Range: max. Ø 40 m
across
max. Ø 20 m
towards
Monitored area (tangential
movement): 250 m² / 2.5 m mounting
height



**Corridor lens PD4N type A,
Cover ring**

Art.No: 93743

Detection area: horizontal 360°
(Ceiling mounting)
Range: max. Ø 40 m
across
max. Ø 20 m
towards
Monitored area (tangential
movement): 250 m² / 2.5 m
mounting height



Corridor lens PD4N type A

Art.No: 93073

Detection area: horizontal 360°
(Ceiling mounting)
Range: max. Ø 40 m
across
max. Ø 20 m
towards
Monitored area (tangential
movement): 250 m² / 2.5 m mounting
height



lens PD4N, Cover ring

Art.No: 93731

Detection area: horizontal 360°
(Ceiling mounting)
Range: max. Ø 24 m
across
max. Ø 8 m
towards
max. Ø 6.4 m
seated
Monitored area (tangential
movement): 450 m² / 2.5 m mounting
height



lens PD4N, Cover ring

Art.No: 93733

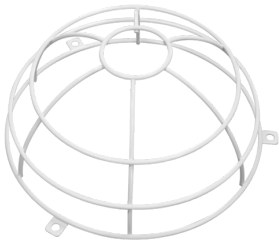
Detection area: horizontal 360°
(Ceiling mounting)
Range: max. Ø 24 m
across
max. Ø 8 m
towards
max. Ø 6.4 m
seated
Monitored area (tangential
movement): 450 m² / 2.5 m
mounting height



lens PD4N, Cover ring

Art.No: 93732

Detection area: horizontal 360°
(Ceiling mounting)
Range: max. Ø 24 m
across
max. Ø 8 m
towards
max. Ø 6.4 m
seated
Monitored area (tangential
movement): 450 m² / 2.5 m mounting
height



Wire basket BSK (Ø 200 x 90 mm)

Art.No: 92199

Dimensions: Ø 200 x 90 mm
Impact strength: IK09
Housing: coated steel basket