



PD4N-KNX-ST-FM

Prod.No. 93385 EAN: 4007529933853

KNX occupancy detector with integrated KNX bus connector

Low installation depth

1 x Light (for regulating or switching), 1 x slave output, 3 separate HVAC-blocs

Order data

Designation	Colour	Art.No
PD4N-KNX-ST-FM	white	93385

Accessories

Designation	Colour	Art.No
BLE-IR-Adapter	black	93067
IR-PD-KNX	-	92123
Wire basket BSK (Ø 200 x 90 mm)	white	92199
SM socle mounting set IP54 PD2N- / PD4N-FM	white	93307
SM socle mounting set IP65 PD4N	white	93314
lens PD4N, Cover ring	anthracite	93731
lens PD4N, Cover ring	black	93733
lens PD4N, Cover ring	traffic white	93732
Corridor lens PD4N type A, Cover ring	traffic white	93742
Corridor lens PD4N type A, Cover ring	anthracite	93741
Corridor lens PD4N type A, Cover ring	black	93743

SM socle mounting set IP54 PD2N- / PD4N-FM	black	93753
SM socle mounting set IP54 PD2N- / PD4N-FM	traffic white	93752
SM socle mounting set IP54 PD2N- / PD4N-FM	anthracite	93751

Technical data

Voltage:	via KNX BUS
Dimensions:	Ø 106 x 55 mm
Typ. power input:	12 mA
Detection area:	horizontal 360° (Ceiling mounting) max. Ø 24 m across max. Ø 8 m towards max. Ø 6.4 m seated
Range:	
Monitored area (tangential movement):	450 m ² / 2.5 m mounting height
Mounting height min./max./recommended:	2 m / 10 m / 2.5 m
Degree / class of protection:	IP20 / Class III
Ambient temperature:	-25 °C to +55 °C
Housing:	polycarbonate, UV-resistant white mat, similar to RAL9010
Material color:	
Number of light sensors:	2
Number of PIR sensors:	4
KNX TP 256:	Yes
Orientation light:	5 - 100 % / OFF / 1 min - 255 min
Night light:	5 - 100 %
Brightness set value:	5 - 2000 Lux

Product information

KNX occupancy detector with integrated KNX bus connector

Low installation depth

1 x Light (for regulating or switching), 1 x slave output, 3 separate HVAC-blocs

Intelligent semi-automatic mode, occupancy-independent regulating mode (photoelectric switch), full automatic mode

Individual adaption of detection sensitivity for each PIR sensor

Direction of movement can be identified

Mixed light measurement with internal and external light sensor

Various locking functions

Status LEDs can be activated / deactivated

Programming button (phys. address) can be operated via remote control

Regulation/switching of three light groups via offset (external influence possible)

Short presence, self-adjusting follow-up time, corridor function

Recall of light scenes

HVAC mode (0=automatic, 1=comfort, 2=stand-by, 3=economy, 4=antifreeze/heat protection)

PIR sensors can be deactivated individually

Detection area can be extended thanks to master-slave-mode

Extensive optimization options for light measurement

Measured light value is communicated to the bus

IR remote control-capable via IR remote control (optionally)

PIN code

Manual influence via external KNX push buttons possible

Function control (heartbeat, cyclical sending)

Forced switch-off

Intelligent central-off function

Premonition of switch-off

Behaviour upon bus voltage return definable at choice

Variable safety pause after switching off the lights

Settings ex ETS 4 for integration in KNX systems

The product database for import into the ETS database can be downloaded from the B.E.G. homepage.

Adaption of dimming curve

Determination of the reflection factor, e.g. on a desk, with the optional BLE-IR-Adapter

Burn-in function for fluorescent lamps selectable from 1h till 100h

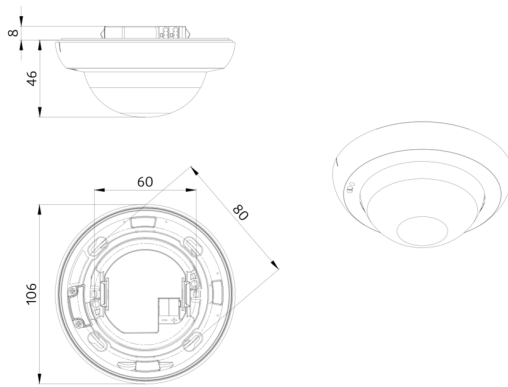
Soft-start

Spring-clamps

Blinds

Application examples:

open-plan offices, conference rooms, classrooms/seminar rooms, staircases, small offices, sports halls/ storage rooms



Accessories



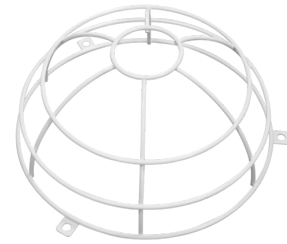
BLE-IR-Adapter
Art.No: 93067

Dimensions: 40 x 55 x 103 mm
Material color: black
Frequency: 2.4 GHz ISM band, GFSK
0.2 dBm + 5.3 dBi = 5.5 dBm



IR-PD-KNX
Art.No: 92123

Battery: 3.0 V Lithium CR2032 (inclusive)
Dimensions: 80 x 60 x 8 mm
Material color: -



Wire basket BSK (Ø 200 x 90 mm)
Art.No: 92199

Dimensions: Ø 200 x 90 mm
Impact strength: IK09
Housing: coated steel basket



SM socle mounting set IP54 PD2N-FM
Art.No: 93307

Dimensions: Ø 109 x 19 mm
Degree / class of protection: IP54
Material color: white, similar to RAL9010



SM socle mounting set IP65 PD4N
Art.No: 93314

Dimensions: 133 x 133 x 69 mm
Degree / class of protection: IP65
Material color: white



lens PD4N, Cover ring
Art.No: 93731

Detection area: horizontal 360° (Ceiling mounting)
Range: max. Ø 24 m across
max. Ø 8 m towards
max. Ø 6.4 m seated
Monitored area (tangential movement): 450 m² / 2.5 m mounting height



lens PD4N, Cover ring
Art.No: 93733

Detection area: horizontal 360° (Ceiling mounting)
Range: max. Ø 24 m across
max. Ø 8 m towards
max. Ø 6.4 m seated
Monitored area (tangential movement): 450 m² / 2.5 m mounting height



lens PD4N, Cover ring
Art.No: 93732

Detection area: horizontal 360° (Ceiling mounting)
Range: max. Ø 24 m across
max. Ø 8 m towards
max. Ø 6.4 m seated
Monitored area (tangential movement): 450 m² / 2.5 m mounting height



Corridor lens PD4N type A, Cover ring
Art.No: 93742

Detection area: horizontal 360° (Ceiling mounting)
Range: max. Ø 40 m across
max. Ø 20 m towards
Monitored area (tangential movement): 250 m² / 2.5 m mounting height



Corridor lens PD4N type A, Cover ring

Art.No: 93741

Detection area: horizontal 360° (Ceiling mounting)
Range: max. Ø 40 m across
max. Ø 20 m towards
Monitored area (tangential movement): 250 m² / 2.5 m mounting height



Corridor lens PD4N type A, Cover ring

Art.No: 93743

Detection area: horizontal 360° (Ceiling mounting)
Range: max. Ø 40 m across
max. Ø 20 m towards
Monitored area (tangential movement): 250 m² / 2.5 m mounting height



SM socle mounting set IP54 PD2N- / PD4N-FM

Art.No: 93753

Dimensions: Ø 109 x 19 mm
Degree / class of protection: IP54
Housing: polycarbonate, UV-resistant



SM socle mounting set IP54 PD2N- / PD4N-FM

Art.No: 93752

Dimensions: Ø 109 x 19 mm
Degree / class of protection: IP54
Housing: polycarbonate, UV-resistant



SM socle mounting set IP54 PD2N- / PD4N-FM

Art.No: 93751

Dimensions: Ø 109 x 19 mm
Degree / class of protection: IP54
Housing: polycarbonate, UV-resistant