

**B.E.G.****LUXOMAT<sup>®</sup>net**

## PD4N-DALI-LINK Set 93377-93752-93742

- Voltage: via DALI Bus, max. 22.5 V DC
- Dimensions: **Ø 106 x 68 mm + Ø 109 x 19 mm (93752)**
- Settings: PBM-DALI-LINK-4W-BLE + Smartphone with DALI-LINK App (iOS / Android)

### Order data

Designation	Colour	Art.No
PD4N-DALI-LINK	white	93377
SM socle mounting set IP54 PD2N- / PD4N-FM	traffic white	93752
Corridor lens PD4N type A, Cover ring	traffic white	93742

## Technical data

Voltage:	via DALI Bus, max. 22.5 V DC
Dimensions:	<b>Ø 106 x 68 mm + Ø 109 x 19 mm (93752)</b>
Settings:	PBM-DALI-LINK-4W-BLE + Smartphone with DALI-LINK App (iOS / Android)
Typ. power input:	7 mA
Detection area:	<b>horizontal 360° (Ceiling mounting) (93742)</b>
Range:	<b>max. Ø 40 m across max. Ø 20 m towards (93742)</b>
Monitored area (tangential movement):	<b>250 m<sup>2</sup> / 2.5 m mounting height (93742)</b>
Mounting height min./max./recommended:	<b>2.4 m / 2.6 m / 2.5 m (93742)</b>
Degree / class of protection:	<b>IP20 / Class II + IP54 (93752)</b>
Impact strength:	IK04
Ambient temperature:	-25 °C to +55 °C
Housing:	polycarbonate, UV- resistant
Material color:	<b>traffic white mat, similar to RAL9016 (93742)</b>
Follow-up time:	1 sec - 120 min
Orientation light:	5 - 100 % / 1 min - 120 min / ∞
Brightness set value:	10 - 2500 Lux

## Product information

Set : PD4N-DALI-LINK + SM socle mounting set IP54  
PD2N- / PD4N-FM traffic white mat, similar to  
RAL9016 + Corridor lens PD4N type A, Cover ring  
traffic white mat, similar to RAL9016

Wide motion detection range DALI multisensor

Powered via DALI bus

Seamless integration in DALI lighting control system B.E.G.  
LUXOMAT®net DALI-LINK as modular multimaster option

Detection area can be extended thanks to master-slave-mode

Mixed light measurement with internal and external light  
sensor

Semi-automatic, full-automatic or twilight switch mode

Integrated daylight harvesting circuit (or switch output)

Guided Light, Soft-Start PLUS, Orientation light PLUS

Works out-of-the box for easy installation check

Full range of functions can only be activated with other  
products of the product group B.E.G. LUXOMAT®net DALI-LINK

Detection area can be restricted with blinds

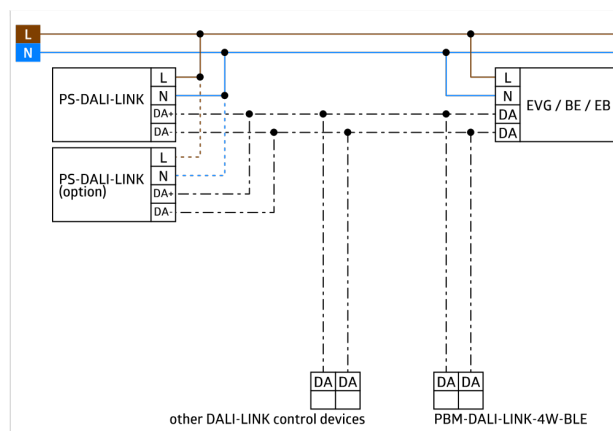
This article is a component of a lighting control system from  
B.E.G., which supports the use of DALI control gear  
(luminaires, relays) from other manufacturers

The use of DALI application controllers from other  
manufacturers is not supported

The use of DALI input devices (sensors, push-buttons) from  
other manufacturers is not supported

Additional system components (hardware) from B.E.G. are  
required

Additional free software from B.E.G. is required



## Set items

To receive the bundle according to the technical specification, please order the items listed.



### PD4N-DALI-LINK

Art.No: 93377

Voltage: via DALI Bus, max. 22.5 V DC  
Dimensions: Ø 106 x 68 mm  
Settings: PBM-DALI-LINK-4W-BLE +  
Smartphone with DALI-LINK App (iOS /  
Android)



### SM socle mounting set IP54

PD2N- / PD4N-FM

Art.No: 93752

Dimensions: Ø 109 x 19 mm  
Degree / class of protection: IP54  
Housing: polycarbonate, UV-  
resistant



### Corridor lens PD4N type A, Cover ring

Art.No: 93742

Detection area: horizontal 360°  
(Ceiling mounting)  
Range: max. Ø 40 m across  
max. Ø 20 m towards  
Monitored area (tangential  
movement): 250 m<sup>2</sup> / 2.5 m mounting  
height