

B.E.G.**LUXOMAT[®] net**

PD4N-DALI-LINK Set 93377-93307-92199

- Voltage: via DALI Bus, max. 22.5 V DC
- Dimensions: **Ø 200 x 90 mm (92199)**
- Settings: PBM-DALI-LINK-4W-BLE + Smartphone with DALI-LINK App (iOS / Android)

Order data

Designation	Colour	Art.No
PD4N-DALI-LINK	white	93377
SM socle mounting set IP54 PD2N- / PD4N-FM	white	93307
Wire basket BSK (Ø 200 x 90 mm)	white	92199

Technical data

Voltage:	via DALI Bus, max. 22.5 V DC
Dimensions:	Ø 200 x 90 mm (92199)
Settings:	PBM-DALI-LINK-4W-BLE + Smartphone with DALI-LINK App (iOS / Android)
Typ. power input:	7 mA
Detection area:	horizontal 360° (Ceiling mounting)
Range:	max. Ø 24 m across max. Ø 8 m towards max. Ø 6.4 m seated
Monitored area (tangential movement):	450 m ² / 2.5 m mounting height
Mounting height min./max./recommended:	2 m / 10 m / 2.5 m
Degree / class of protection:	IP20 / Class II + IP54 (93307)
Impact strength:	IK09 (92199)
Ambient temperature:	-25 °C to +55 °C
Housing:	polycarbonate, UV- resistant + coated steel basket (92199)
Material color:	white, similar to RAL9010 (93307)
Follow-up time:	1 sec - 120 min
Orientation light:	5 - 100 % / 1 min - 120 min / ∞
Brightness set value:	10 - 2500 Lux

Product information

Set : PD4N-DALI-LINK + SM socle mounting set IP54
PD2N- / PD4N-FM white, similar to RAL9010 + Wire
basket BSK (Ø 200 x 90 mm) white

Wide motion detection range DALI multisensor

Powered via DALI bus

Seamless integration in DALI lighting control system B.E.G.
LUXOMAT®net DALI-LINK as modular multimaster option

Detection area can be extended thanks to master-slave-mode

Mixed light measurement with internal and external light
sensor

Semi-automatic, full-automatic or twilight switch mode

Integrated daylight harvesting circuit (or switch output)

Guided Light, Soft-Start PLUS, Orientation light PLUS

Works out-of-the box for easy installation check

Full range of functions can only be activated with other
products of the product group B.E.G. LUXOMAT®net DALI-LINK

Detection area can be restricted with blinds

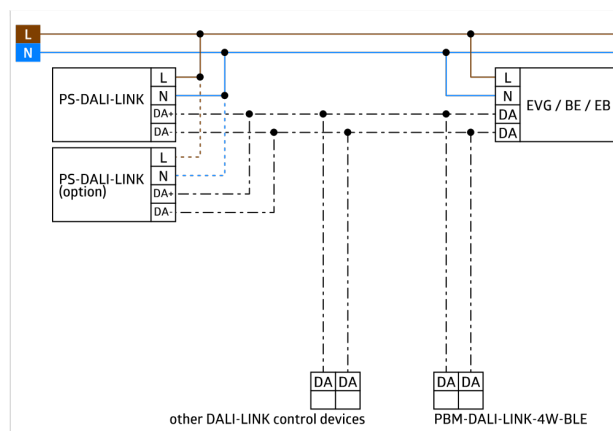
This article is a component of a lighting control system from
B.E.G., which supports the use of DALI control gear
(luminaires, relays) from other manufacturers

The use of DALI application controllers from other
manufacturers is not supported

The use of DALI input devices (sensors, push-buttons) from
other manufacturers is not supported

Additional system components (hardware) from B.E.G. are
required

Additional free software from B.E.G. is required



Set items

To receive the bundle according to the technical specification, please order the items listed.



PD4N-DALI-LINK

Art.No: 93377

Voltage: via DALI Bus, max. 22.5 V DC

Dimensions: Ø 106 x 68 mm

Settings: PBM-DALI-LINK-4W-BLE +
Smartphone with DALI-LINK App (iOS /
Android)



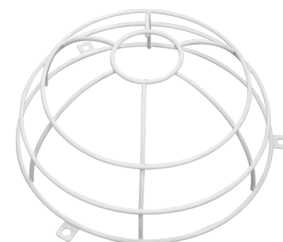
SM socle mounting set IP54 PD2N- / PD4N-FM

Art.No: 93307

Dimensions: Ø 109 x 19 mm

Degree / class of protection: IP54

Material color: white, similar to
RAL9010



Wire basket BSK (Ø 200 x 90 mm)

Art.No: 92199

Dimensions: Ø 200 x 90 mm

Impact strength: IK09

Housing: coated steel basket