

B.E.G.**LUXOMAT®**

PD4N-1C-FM Set 92151-92199-93737

Remote-control capable motion detector
with large detection range

One channel for light switching

Zero crossing switching

Areas of application

- corridors/hallways
- toilets
- equipment rooms

Order data

Designation	Colour	Art.No
PD4N-1C-FM	white	92151
Wire basket BSK (Ø 200 x 90 mm)	white	92199
lens PD4N-1C, Cover ring	traffic white	93737

Technical data

Voltage:	110 - 240 V AC 50 / 60 Hz
Dimensions:	Ø 200 x 90 mm (92199)
Power consumption:	approx. 0.5 W horizontal 360°
Detection area:	(Ceiling mounting) max. Ø 24 m across max. Ø 8 m towards max. Ø 6.4 m seated
Range:	
Monitored area (tangential movement):	450 m ² / 2.5 m mounting height
Mounting height min./max./recommended:	2 m / 5 m / 2.5 m
Degree / class of protection:	IP20 / Class II
Impact strength:	IK09 (92199)
Ambient temperature:	-25 °C to +50 °C
Housing:	polycarbonate, UV-resistant + coated steel basket (92199) traffic white mat, similar to RAL9016 (93737)
Material color:	

Channel 1 (lighting control)

Switching power:	2300 W, $\cos \varphi = 1$ 1150 VA, $\cos \varphi = 0.5$ 800 W LED max. inrush current I_p (20 ms) = 165 A max. inrush current I_p (200 μ s) = 800 A
Type of contact (k):	1x μ -contact, NO contact with tungsten pre- make contact
Follow-up time:	15 sec - 30 min, Pulse
Switch-on threshold:	10 - 2000 Lux

Product information

Set : PD4N-1C-FM + Wire basket BSK (Ø 200 x 90 mm) white + lens PD4N-1C, Cover ring traffic white mat, similar to RAL9016

Remote-control capable ceiling motion detector with large detection range

One channel for light switching

Zero crossing switching

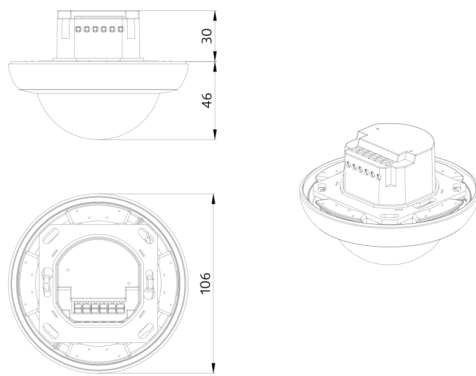
Special optical system for detection of even the smallest movements

Uninterrupted parallel circuit detection of several detectors

Manual switching via push-button possible

Additional functions can be set up using the optional remote control.

Factory settings 10 min and 500 lux



Set items

To receive the bundle according to the technical specification, please order the items listed.



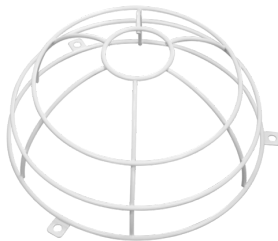
PD4N-1C-FM

Art.No: 92151

Voltage: 110 - 240 V AC 50 / 60 Hz

Dimensions: Ø 106 x 76 mm

Power consumption: approx. 0.5 W



Wire basket BSK (Ø 200 x 90 mm)

Art.No: 92199

Dimensions: Ø 200 x 90 mm

Impact strength: IK09

Housing: coated steel basket



lens PD4N-1C, Cover ring

Art.No: 93737

Detection area: horizontal 360° (Ceiling mounting)

Range: max. Ø 24 m across

max. Ø 8 m towards

max. Ø 6.4 m seated

Monitored area (tangential movement):

450 m² / 2.5 m mounting height