

**B.E.G.****LUXOMAT®**

## PD4-S-DAA4G-FC Set 92721-92467

DALI bus operated slave device

For extension of the detection area of a master device PD4-M-DAA4G / PD4-M-HCL

Trigger pulse to master device upon detected movement independent of the ambient light level

### Order data

Designation	Colour	Art.No
PD4-S-DAA4G-FC	white	92721
Wire basket BSK (Ø 164 x 143 mm)	white	92467

## Technical data

Voltage:	22 V DC via DALI Bus
Dimensions:	<b>Ø 164 x 143 mm (92467)</b>
Detection area:	horizontal 360° (Ceiling mounting) max. Ø 24 m across max. Ø 8 m towards
Range:	max. Ø 6.4 m seated
Monitored area (tangential movement):	450 m <sup>2</sup> / 2.5 m mounting height
Mounting height min./max./recommended:	2 m / 10 m / 2.5 m
Degree / class of protection:	IP20 / Class II
Impact strength:	<b>IK09 (92467)</b>
Ambient temperature:	-25 °C to +50 °C
Housing:	<b>polycarbonate, UV-resistant + coated steel basket (92467)</b>
Material color:	white mat, similar to RAL9010
up to 4 slave devices in combination with one PD4-M-DAA4G	
Pulse interval:	30 sec (in test mode 2 sec during 3 min)

## Product information

Set : PD4-S-DAA4G-FC + Wire basket BSK (Ø 164 x 143 mm) white

DALI bus operated slave device

For extension of the detection area of a master device PD4-M-DAA4G / PD4-M-HCL

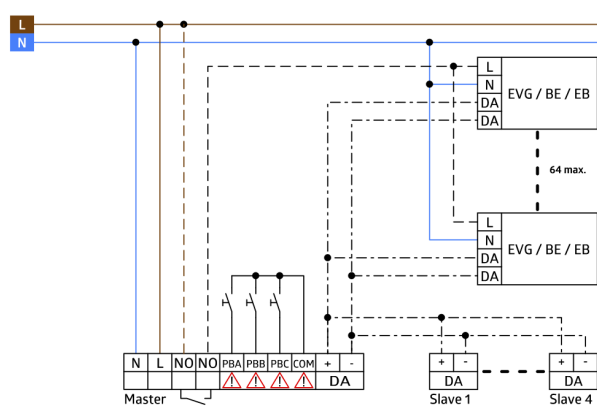
Trigger pulse to master device upon detected movement independent of the ambient light level

Automatic test mode via master device

Plug & Play - no parameterisation required

Easy to mount

False ceiling or surface mount version available



## Set items

To receive the bundle according to the technical specification, please order the items listed.



### **PD4-S-DAA4G-FC**

Art.No: 92721

Voltage: 22 V DC via DALI Bus

Dimensions: Ø 98 x 96 mm

Detection area: horizontal 360° (Ceiling mounting)



### **Wire basket BSK (Ø 164 x 143 mm)**

Art.No: 92467

Dimensions: Ø 164 x 143 mm

Impact strength: IK09

Housing: coated steel basket