

B.E.G.**LUXOMAT®**

PD4-S-DAA4G-FC

Prod.No. 92721 EAN: 4007529927210

DAA4G Slave PIR Motion Detector with 360° coverage and a range of up to Ø24m (450 m²)

Order data

Designation	Colour	Art.No
PD4-S-DAA4G-FC	white	92721

Accessories

Designation	Colour	Art.No
Wire basket BSK (Ø 200 x 90 mm)	white	92199
Wire basket BSK (Ø 164 x 143 mm)	white	92467
Blinds PD4	transparent	92313

Technical data

Voltage:	22 V DC via DALI Bus
Dimensions:	Ø 98 x 96 mm horizontal 360°
Detection area:	(Ceiling mounting) max. Ø 24 m across
Range:	max. Ø 8 m towards max. Ø 6.4 m seated
Monitored area (tangential movement):	450 m ² / 2.5 m mounting height
Mounting height min./max./recommended:	2 m / 10 m / 2.5 m
Degree / class of protection:	IP20 / Class II
Impact strength:	IK04
Ambient temperature:	-25 °C to +50 °C
Housing:	polycarbonate, UV-resistant
Material color:	white mat, similar to RAL9010
up to 4 slave devices in combination with one PD4- M-DAA4G	
Pulse interval:	30 sec (in test mode 2 sec during 3 min)

Product information

DALI bus operated slave device

For extension of the detection area of a master device PD4-M-DAA4G / PD4-M-HCL

Trigger pulse to master device upon detected movement independent of the ambient light level

Automatic test mode via master device

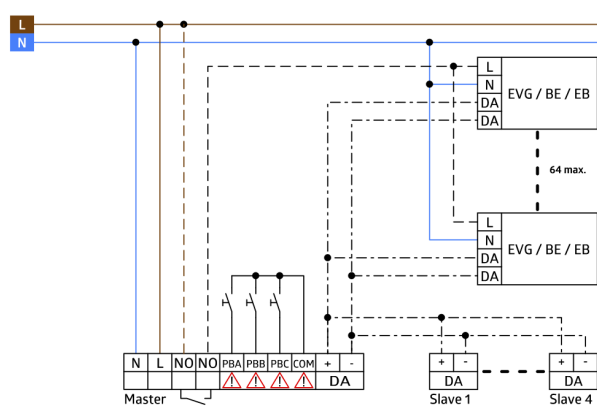
Plug & Play - no parameterisation required

Easy to mount

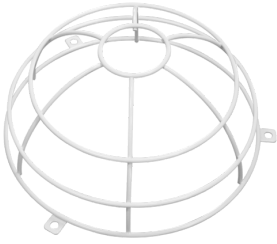
False ceiling or surface mount version available

Application examples:

conference rooms, classrooms/seminar rooms



Accessories



Wire basket BSK (Ø 200 x 90 mm)

Art.No: 92199

Dimensions: Ø 200 x 90 mm
Impact strength: IK09
Housing: coated steel basket



Wire basket BSK (Ø 164 x 143 mm)

Art.No: 92467

Dimensions: Ø 164 x 143 mm
Impact strength: IK09
Housing: coated steel basket



Blinds PD4

Art.No: 92313

Housing: Housing UV- and shockresistant Polycarbonate
Material color: transparent