

**B.E.G.**

**LUXOMAT®**



**PD4-M-  
TRIO-2DALI/DSI-1C-SM  
Set 92751-92467-92386**

- Voltage: 110 - 240 V AC 50 / 60 Hz
- Dimensions: **Ø 164 x 143 mm (92467)**
- Power consumption: approx. 2 W

**Areas of application**

- open-plan offices
- conference rooms
- classrooms/seminar rooms

**Order data**

<b>Designation</b>	<b>Colour</b>	<b>Art.No</b>
PD4-M-TRIO-2DALI/DSI-1C-SM	white	92751
Wire basket BSK (Ø 164 x 143 mm)	white	92467
Socket IP54 PD4-TRIO-SM	white	92386

## Technical data

Voltage:	110 - 240 V AC 50 / 60 Hz
Dimensions:	<b>Ø 164 x 143 mm (92467)</b>
Power consumption:	approx. 2 W
Detection area:	horizontal 360° (Ceiling mounting) max. Ø 24 m across max. Ø 8 m towards seated
Range:	max. Ø 6.4 m seated
Monitored area (tangential movement):	450 m <sup>2</sup> / 2.5 m mounting height
Mounting height min./max./recommended:	2 m / 10 m / 2.5 m
Degree / class of protection:	<b>IP54 (92386)</b>
Impact strength:	<b>IK09 (92467)</b>
Ambient temperature:	-25 °C to +50 °C
Housing:	<b>polycarbonate, UV-resistant + coated steel basket (92467)</b>
Material color:	white mat, similar to RAL9010

### Channel 1 and Channel 2 (lighting control)

DALI output:	up to 25 DALI / DSI-EB per channel
Orientation light:	10 - 30 % / OFF / 1 min - 60 min / ∞

### Channel 3 (HVAC control or lighting control, potential-free (dry))

Switching power:	3000 W, $\cos \varphi = 1$ 1500 VA, $\cos \varphi = 0.5$ 800 W LED max. inrush current $I_p$ (20ms) = 165 A, (200 μs) = 800 A
Type of contact:	1x μ-contact, dry NO contact with tungsten pre-make contact

### Channel 1 to channel 3

Follow-up time:	1 min - 60 min
Brightness set value:	10 - 2000 Lux
Light measuring:	Mixed light measuring

## Product information

Set : PD4-M-TRIO-2DALI/DSI-1C-SM + Wire basket BSK (Ø 164 x 143 mm) white + Socket IP54 PD4-TRIO-SM white

Occupancy detector for two separate lighting groups, for daylight-dependent lighting control

One potential-free switching channel for control of equipment (HVAC) or lighting

Two independent, movable light sensors

One common detection area

2 DALI/DSI interfaces for control of digital dimmable electronic ballasts as a group

Switching between DALI and DSI possible with remote control

Orientation light function

Relay with tungsten pre-make contact, optimised for LED loads

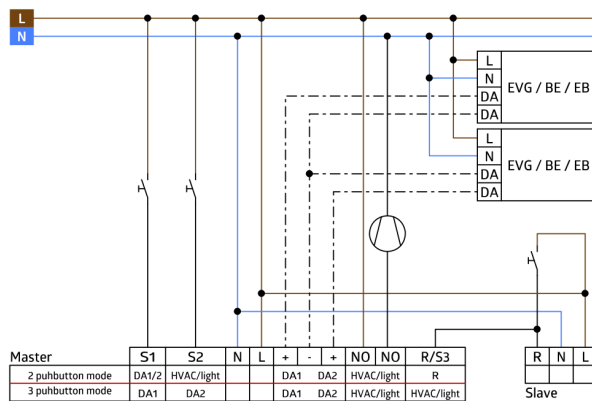
Version as master device

Detection area can be extended by using slave devices

Manual switching and dimming via push button possible

Semi-automatic, full-automatic or twilight switch mode

Additional functions can be set up using the optional remote control.



## Set items

To receive the bundle according to the technical specification, please order the items listed.



**PD4-M-TRIO-2DALI/DSI-1C-SM**  
Art.No: 92751

Voltage: 110 – 240 V AC 50 / 60 Hz  
Dimensions: Ø 124 x 85 mm  
Power consumption: approx. 2 W



**Wire basket BSK (Ø 164 x 143 mm)**  
Art.No: 92467

Dimensions: Ø 164 x 143 mm  
Impact strength: IK09  
Housing: coated steel basket



**Socket IP54 PD4-TRIO-SM**  
Art.No: 92386

Degree / class of protection: IP54  
Housing: polycarbonate, UV-resistant  
Material color: white