

B.E.G.**LUXOMAT®**

PD4-M-HCL2-FC DALI-2 Set 93484-92199

- Voltage: 230 V AC $\pm 10\%$ 50 Hz
- Dimensions: $\varnothing 200 \times 90$ mm (92199)
- Power consumption: approx. 2 W

Order data

Designation	Colour	Art.No
PD4-M-HCL2-FC DALI-2	white	93484
Wire basket BSK ($\varnothing 200 \times 90$ mm)	white	92199

Technical data

Voltage:	230 V AC \pm 10% 50 Hz
Dimensions:	Ø 200 x 90 mm (92199)
Power consumption:	approx. 2 W
Detection area:	horizontal 360° (Ceiling mounting) max. Ø 24 m across max. Ø 8 m towards max. Ø 6.4 m seated
Range:	
Monitored area (tangential movement):	450 m ² / 2.5 m mounting height
Mounting height min./max./recommended:	2 m / 10 m / 2.5 m
Degree / class of protection:	IP20 / Class II
Impact strength:	IK09 (92199)
Ambient temperature:	-25 °C to +50 °C
Housing:	polycarbonate, UV-resistant + coated steel basket (92199)
Material color:	white, similar to RAL9010

DALI Control

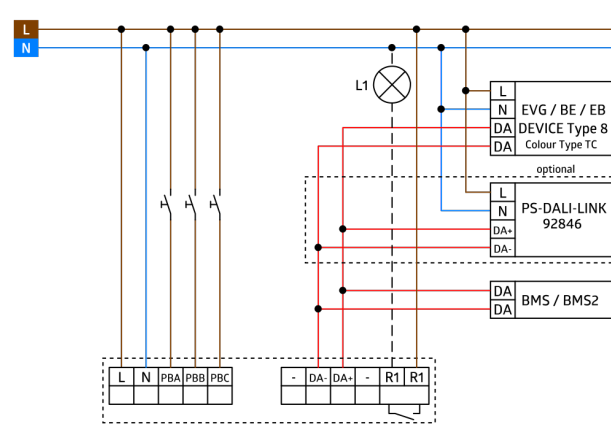
DALI output:	100 mA (guaranteed), 120 mA (max.)
Supported control gear:	DT5, DT6, DT7, DT8-Tc (HCL only possible with DT8-Tc, 2700 - 6500 K)
Supported control devices:	B.E.G. BMS (motion detection)
Follow-up time:	1 min - 150 min
Orientation light:	5 - 100 % / OFF / 1 min - 255 min / ∞
Brightness set value:	10 - 2500 Lux

Relay (dry NO)

Switching power:	2300 W, $\cos \varphi =$ 1 1150 VA, $\cos \varphi$ = 0.5 800 W LED max. inrush current I_p (20 ms) = 165 A, I_p (200 μ s) = 800 A
Type of contact:	1x μ -contact, NO contact
Follow-up time:	5 sec - 120 min (HVAC)

Product information

Set : PD4-M-HCL2-FC DALI-2 + Wire basket BSK (Ø
200 x 90 mm) white



Set items

To receive the bundle according to the technical specification, please order the items listed.



PD4-M-HCL2-FC DALI-2
Art.No: 93484

Voltage: 230 V AC $\pm 10\%$ 50 Hz
Dimensions: $\varnothing 117 \times 100$ mm
Power consumption: approx. 2 W



Wire basket BSK ($\varnothing 200 \times 90$ mm)
Art.No: 92199

Dimensions: $\varnothing 200 \times 90$ mm
Impact strength: IK09
Housing: coated steel basket