

**B.E.G.****LUXOMAT®**

## PD4-M-HCL-FC

Prod.No. 93006 EAN: 4007529930067

Manual switching or dimming via conventional pushbuttons

Quick commissioning and maintenance processes via Smartphone/Tablet App (Android, iOS) - No PC-Tool required

Detection area can be extended with up to four Slave devices of type PD4-S-DAA4G

### Order data

Designation	Colour	Art.No
PD4-M-HCL-FC		93006

### Accessories

Designation	Colour	Art.No
Wire basket BSK (Ø 164 x 143 mm)	white	92467
IR-Adapter for Smartphones	black	92726
Wire basket BSK (Ø 200 x 90 mm)	white	92199
CTS HCL2	white	93177
BLE-IR-Adapter	black	93067

## Technical data

Voltage:	110 – 240 V AC 50 / 60 Hz
Dimensions:	Ø 117 x 100 mm
Power consumption:	approx. 0.3 W
Detection area:	horizontal 360° (Ceiling mounting) max. Ø 24 m across max. Ø 8 m towards seated
Range:	max. Ø 6.4 m seated
Monitored area (tangential movement):	450 m <sup>2</sup> / 2.5 m mounting height
Mounting height min./max./recommended:	2 m / 10 m / 2.5 m
Degree / class of protection:	IP20 / Class II
Ambient temperature:	-25 °C to +50 °C
Housing:	polycarbonate, UV-resistant
Material color:	white, similar to RAL9010

### DALI Control

DALI output:	up to 64 DALI ballasts , can be grouped into 3 DALI groups plus blackboard lighting or HVAC control, tunable white DT8 controller
Follow-up time:	1 min – 150 min (Lighting zones)
Brightness set value:	10 – 2500 Lux

### Relay (dry NO)

Switching power:	2300 W, cos $\varphi$ = 1 1150 VA, cos $\varphi$ = 0.5 300 W LED
Type of contact:	1x $\mu$ -contact, NO contact
Follow-up time:	5 sec – 120 min (HVAC)

## Product information

Bidirectional occupancy detector with integrated DALI controller for an energy-efficient and biologically effective light control (Human Centric Lighting)

Very sensitive occupancy detector with the ability to address up to 64 DALI-DT8 Tunable White luminaires approved by B.E.G. and to control them in groups

The integrated real time clock regulates automatically the colour temperature and the brightness level in such a way that the human circadian rhythm is supported

3 light zones:

A for the main light with segmented HCL control via 3 groups and offset control,

B for desk or accentuated illumination via a separate DALI group,

C for desk or accentuated illumination via integrated relay

Pure Colour: An outdoor colour temperature light sensor, available as an accessory, can be used to measure / transmit the current daylight value.

Manual switching or dimming via conventional pushbuttons

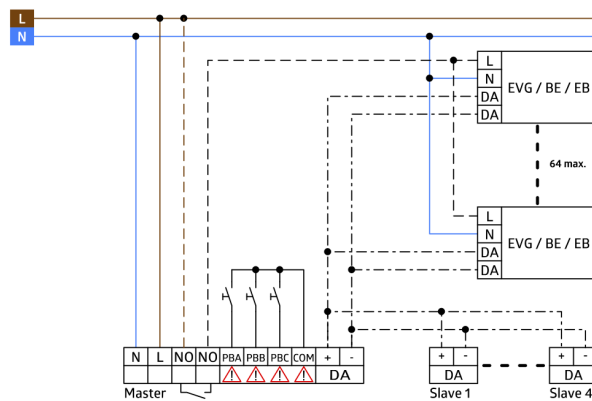
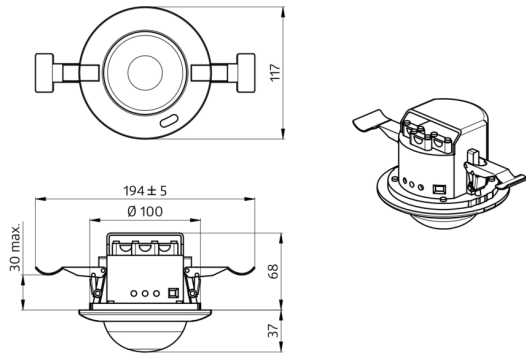
Powerful switching relay for different operating modes, e.g. Cut-off function for DALI ballasts, HVAC, blackboard illumination.

Quick commissioning and maintenance processes via Smartphone/Tablet App (Android, iOS) - No PC-Tool required

Detection area can be extended with up to four Slave devices of type PD4-S-DAA4G

Complete range of functions can only be activated using the B.E.G. IR Adapter or the BLE-IR-Adapter and a compatible Smartphone or Tablet (Android, iOS).

Avoidance of standby losses of the lighting system in accordance with EnEV DIN V 18599-4



## Accessories



### Wire basket BSK (Ø 164 x 143 mm)

Art.No: 92467

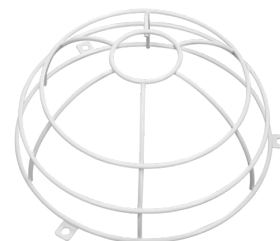
Dimensions: Ø 164 x 143 mm  
Impact strength: IK09  
Housing: coated steel basket



### IR-Adapter for Smartphones

Art.No: 92726

Dimensions: 47 x 19 x 10 mm  
Degree / class of protection: IP20  
Ambient temperature: -20 °C to +40 °C



### Wire basket BSK (Ø 200 x 90 mm)

Art.No: 92199

Dimensions: Ø 200 x 90 mm  
Impact strength: IK09  
Housing: coated steel basket



### CTS HCL2

Art.No: 93177

Voltage: via DALI Bus, max. 22.5 V DC  
Dimensions: 69 x 63 x 55 mm  
Typ. power input: 7 mA



### BLE-IR-Adapter

Art.No: 93067

Dimensions: 40 x 55 x 103 mm  
Material color: black  
Frequency: 2.4 GHz ISM band, GFSK 0.2 dBm + 5.3 dBi = 5.5 dBm