

**B.E.G.****LUXOMAT®**

## PD4-M-DAA4G-SM Set 92743-92386

DALI PIR motion detector with integrated DALI application controller, 360° detection, and a range of up to 24 m (450 m<sup>2</sup>), Multimaster, with switching relay

### Order data

Designation	Colour	Art.No
PD4-M-DAA4G-SM	white	92743
Socket IP54 PD4-TRIO-SM	white	92386

### Areas of application

- conference rooms
- classrooms/seminar rooms

## Technical data

Voltage:	110 - 240 V AC 50 / 60 Hz
Dimensions:	Ø 124 x 85 mm
Power consumption:	approx. 0.4 W
Detection area:	horizontal 360° (Ceiling mounting) max. Ø 24 m across max. Ø 8 m towards max. Ø 6.4 m seated
Range:	
Monitored area (tangential movement):	450 m <sup>2</sup> / 2.5 m mounting height
Mounting height min./max./recommended:	2 m / 10 m / 2.5 m
Degree / class of protection:	<b>IP54 (92386)</b>
Impact strength:	IK04
Ambient temperature:	-25 °C to +50 °C
Housing:	polycarbonate, UV-resistant  white mat, similar to RAL9010
Material color:	

### DALI Control

DALI output:	up to 64 DALI ballasts , can be grouped into 3 DALI groups plus blackboard lighting or HVAC control
Follow-up time:	1 min - 150 min (Lighting zones)
Orientation light:	10 - 30 % / OFF / 5 min - 60 min / ∞
Brightness set value:	10 - 2000 Lux
<b>Relay (dry NO)</b>	
Switching power:	2300 W, cos φ = 1 1150 VA, cos φ = 0.5 300 W LED
Follow-up time:	5 sec - 120 min (HVAC)
Light measuring:	Mixed light measuring

## Product information

Set : PD4-M-DAA4G-SM + Socket IP54 PD4-TRIO-SM  
white

Flexible DALI Compact solution designed for conference  
rooms, training rooms and classrooms

High-sensitivity occupancy detector with the capability to  
address up to 64 DALI electronic ballasts (EB) automatically,  
with segmented control via 4 groups

Quick commissioning and maintenance processes via  
Smartphone/Tablet App (Android, iOS) - No PC-Tool required

3 lighting zones:

A for main lighting with segmented constant light regulation  
via 3 DALI groups and offset control,

B for lectern or blackboard lighting via separate DALI group,  
C for lectern or blackboard lighting by integrated relay

Powerful switching relay for different operating modes, e.g.  
Cut-off function for DALI ballasts, HVAC, blackboard  
illumination.

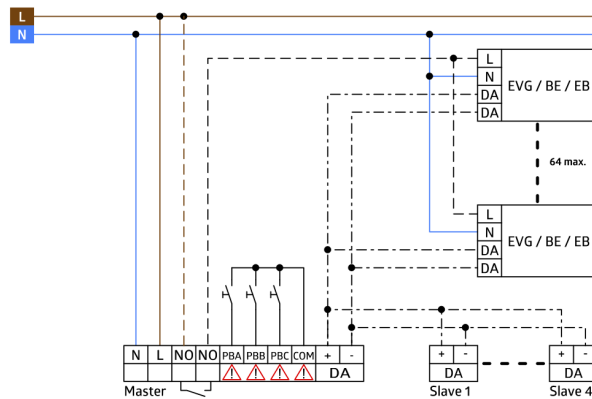
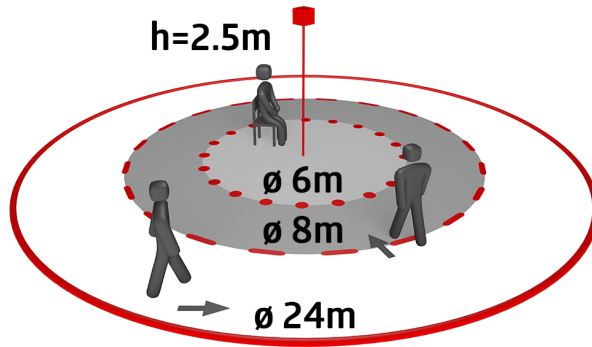
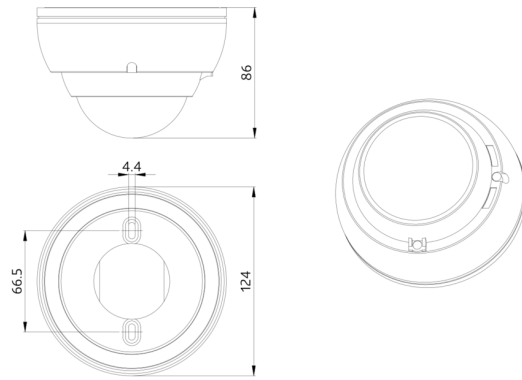
Manual switching or dimming via conventional pushbuttons

Detection area can be extended with up to four Slave devices  
of type PD4-S-DAA4G

Complete range of functions can only be activated using the  
B.E.G. IR Adapter or the BLE-IR-Adapter and a compatible  
Smartphone or Tablet (Android, iOS).

External light sensor can be swivelled by 45

Avoidance of standby losses of the lighting system in  
accordance with EnEV DIN V 18599-4



## Set items

To receive the bundle according to the technical specification, please order the items listed.



### **PD4-M-DAA4G-SM**

Art.No: 92743

Voltage: 110 – 240 V AC 50 / 60 Hz

Dimensions: Ø 124 x 85 mm

Power consumption: approx. 0.4 W



### **Socket IP54 PD4-TRIO-SM**

Art.No: 92386

Degree / class of protection: IP54

Housing: polycarbonate, UV-resistant

Material color: white