

B.E.G.**LUXOMAT®**

PD4-M-2C-FM Set 92255-92992

Occupancy detector with extended detection area

One channel for light switching

One additional potential-free (dry) contact for HVAC

Areas of application

- open-plan offices
- conference rooms
- classrooms/seminar rooms
- entrance halls
- corridors/hallways
- sports halls/ storage rooms

Order data

Designation	Colour	Art.No
PD4-M-2C-FM	white	92255
Square design frame PD4-FC	pure white	92992

Technical data

Voltage:	110 - 240 V AC 50 / 60 Hz
Dimensions:	Ø 104 x 70 mm
Power consumption:	approx. 0.5 W
Detection area:	horizontal 360° (Ceiling mounting) max. Ø 24 m across max. Ø 8 m towards max. Ø 6.4 m seated
Range:	
Monitored area (tangential movement):	450 m ² / 2.5 m mounting height
Mounting height min./max./recommended:	2 m / 10 m / 2.5 m
Degree / class of protection:	IP20 / Class II
Impact strength:	IK04
Ambient temperature:	-25 °C to +50 °C
Housing:	polycarbonate, UV-resistant
Material color:	white mat, similar to RAL9010

Channel 1 (lighting control)

Switching power:	2300 W, $\cos \varphi$ = 1 1150 VA, $\cos \varphi$ = 0.5 800 W LED max. inrush current I_p (20 ms) = 165 A max. inrush current I_p (200 μ s) = 800 A
Type of contact (k):	1x μ -contact, NO contact with tungsten pre- make contact
Follow-up time:	15 sec - 30 min, Pulse
Switch-on threshold:	10 - 2000 Lux

Channel 2 (HVAC control potential-free (dry))

Switching power:	3 A (230 V), \cos φ = 1
Type of contact:	1x dry NO contact
Follow-up time:	5 min - 120 min, Alarm pulse, Pulse
Light measuring:	Mixed light measuring

Product information

Set : PD4-M-2C-FM + Square design frame PD4-FC
pure white mat, similar to RAL9010

Occupancy detector with extended detection area

One channel for light switching

One additional potential-free (dry) contact for HVAC

Version as master device

Detection area can be extended by using slave devices

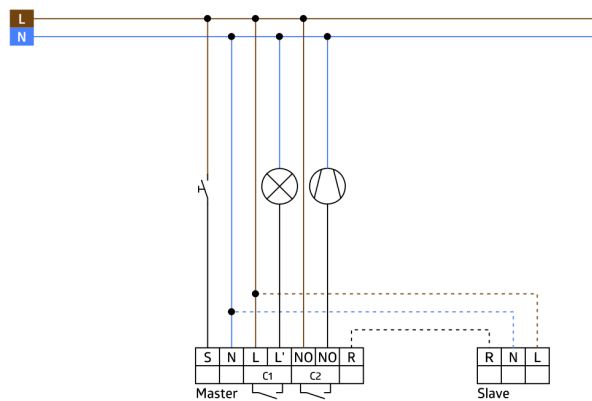
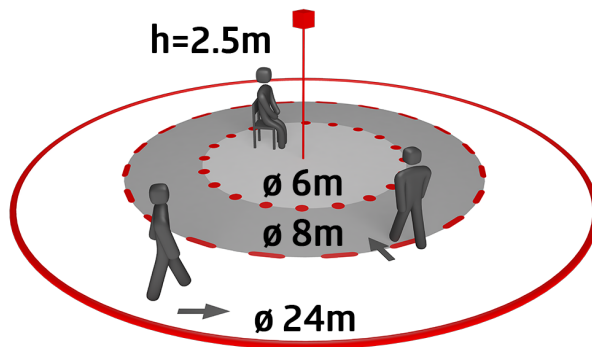
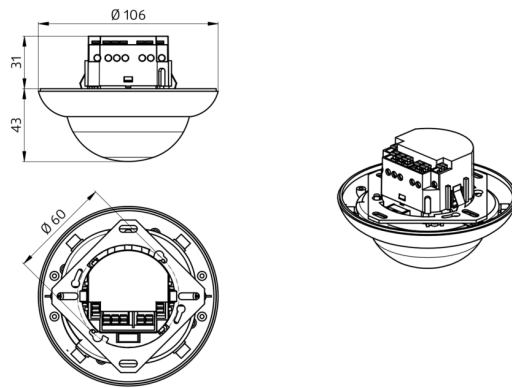
Manual switching via push-button possible

Additional functions can be set up using the optional remote
control.

Alarm pulse: the detector triggers only when three
movements are detected within 9 seconds

Factory settings 10 min and 500 lux (15 min HVAC)

Zero crossing switching



Set items

To receive the bundle according to the technical specification, please order the items listed.



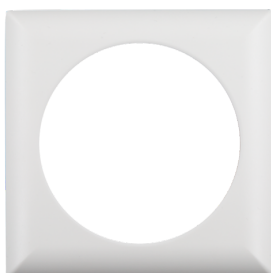
PD4-M-2C-FM

Art.No: 92255

Voltage: 110 – 240 V AC 50 / 60 Hz

Dimensions: Ø 104 x 70 mm

Power consumption: approx. 0.5 W



Square design frame PD4-FC

Art.No: 92992

Dimensions: 101 x 101 x 11.8 mm

Housing: polycarbonate, UV-resistant

Material color: pure white mat, similar to RAL9010