

B.E.G.**LUXOMAT®**

PD4-M-2C-C-SM Set 92440-92199-92376

Occupancy detector designed for corridors

One channel for light switching

One additional potential-free (dry) contact for HVAC

Areas of application

- corridors/hallways

Order data

Designation	Colour	Art.No
PD4-M-2C-C-SM	white	92440
Wire basket BSK (Ø 200 x 90 mm)	white	92199
Surface mounting socket IP65 PD4-SM IP54	white	92376

Technical data

Voltage:	110 - 240 V AC 50 / 60 Hz
Dimensions:	Ø 200 x 90 mm (92199)
Power consumption:	< 0.5 W
Detection area:	horizontal 360° (Ceiling mounting) max. Ø 40 m across max. Ø 20 m towards
Range:	
Monitored area (tangential movement):	250 m ² / 2.5 m mounting height
Mounting height min./max./recommended:	2.4 m / 2.6 m / 2.5 m
Degree / class of protection:	IP54 / Class II
Impact strength:	IK09 (92199)
Ambient temperature:	-25 °C to +50 °C
Housing:	polycarbonate, UV-resistant + coated steel basket (92199) white mat, similar to RAL9010
Material color:	

Channel 1 (lighting control)

Switching power:	2300 W, cos φ = 1 1150 VA, cos φ = 0.5 800 W LED max. inrush current I_p (20 ms) = 165 A max. inrush current I_p (200 μ s) = 800 A
Type of contact (k):	1x μ -contact, NO contact with tungsten pre- make contact
Follow-up time:	15 sec - 30 min, Pulse
Switch-on threshold:	10 - 2000 Lux

Channel 2 (HVAC control potential-free (dry))

Switching power:	3 A (230 V), cos φ = 1
Type of contact:	1x μ -contact, dry NO contact
Follow-up time:	5 min - 120 min, Alarm pulse, Pulse
Light measuring:	Mixed light measuring

Product information

Set : PD4-M-2C-C-SM + Wire basket BSK (Ø 200 x 90 mm) white + Surface mounting socket IP65 PD4-SM IP54 white

Occupancy detector designed for corridors

One channel for light switching

One additional potential-free (dry) contact for HVAC

Version as master device

Detection area can be extended by using slave devices

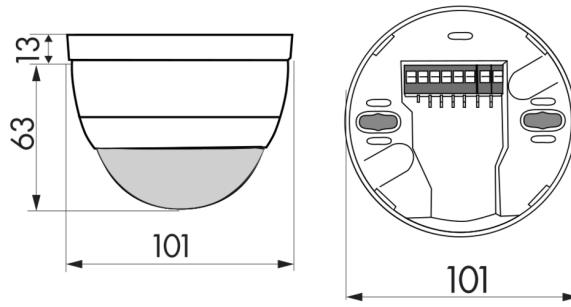
Manual switching via push-button possible

Alarm pulse: the detector triggers only when three movements are detected within 9 seconds

Additional functions can be set up using the optional remote control.

There are markings to ensure correct alignment during installation

Factory settings 10 min and 500 lux (15 min HVAC)



Set items

To receive the bundle according to the technical specification, please order the items listed.



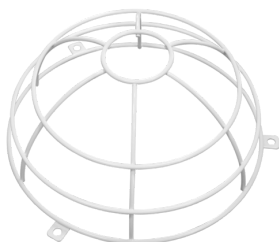
PD4-M-2C-C-SM

Art.No: 92440

Voltage: 110 – 240 V AC 50 / 60 Hz

Dimensions: Ø 101 x 76 mm

Power consumption: < 0.5 W



Wire basket BSK (Ø 200 x 90 mm)

Art.No: 92199

Dimensions: Ø 200 x 90 mm

Impact strength: IK09

Housing: coated steel basket



Surface mounting socket IP65 PD4-SM IP54

Art.No: 92376

Dimensions: Ø 115 x 70 mm

Degree / class of protection: IP65

Impact strength: IK07