

**B.E.G.****LUXOMAT®**

## PD4-M-2C-C-SM

Prod.No. 92440 EAN: 4007529924400

Occupancy detector designed for corridors

One channel for light switching

One additional potential-free (dry) contact for HVAC

### Areas of application

- corridors/hallways

### Order data

Designation	Colour	Art.No
PD4-M-2C-C-SM	white	92440

### Accessories

Designation	Colour	Art.No
RC-Arc extinction kit	white	10880
Mini-RC-Arc extinction kit		10882
BLE-IR-Adapter	black	93067
IR-PD-2C	-	92475
IR-PD-Mini	-	92159
Wire basket BSK (Ø 200 x 90 mm)	white	92199
Surface mounting socket IP65 PD4-SM IP54	white	92376
Wall holder PD4-SM	white	92441
Blinds PD4	transparent	92313
Pendulum mounting set PD2/3/4 SM	white	93179

## Technical data

Voltage:	110 – 240 V AC 50 / 60 Hz
Dimensions:	Ø 101 x 76 mm
Power consumption:	< 0.5 W
Detection area:	horizontal 360° (Ceiling mounting) max. Ø 40 m across max. Ø 20 m towards
Range:	
Monitored area (tangential movement):	250 m <sup>2</sup> / 2.5 m mounting height
Mounting height min./max./recommended:	2.4 m / 2.6 m / 2.5 m
Degree / class of protection:	IP54 / Class II
Impact strength:	IK04
Ambient temperature:	-25 °C to +50 °C
Housing:	polycarbonate, UV-resistant
Material color:	white mat, similar to RAL9010

### Channel 1 (lighting control)

Switching power:	2300 W, $\cos \varphi$ = 1 1150 VA, $\cos \varphi$ = 0.5 800 W LED max. inrush current $I_p$ (20 ms) = 165 A max. inrush current $I_p$ (200 $\mu$ s) = 800 A
Type of contact (k):	1x $\mu$ -contact, NO contact with tungsten pre- make contact
Follow-up time:	15 sec – 30 min, Pulse
Switch-on threshold:	10 – 2000 Lux

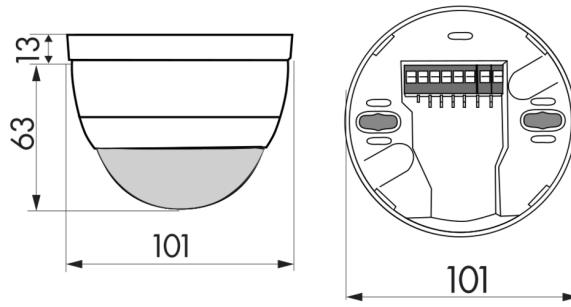
### Channel 2 (HVAC control potential-free (dry))

Switching power:	3 A (230 V), $\cos \varphi$ = 1
Type of contact:	1x $\mu$ -contact, dry NO contact
Follow-up time:	5 min – 120 min, Alarm pulse, Pulse
Light measuring:	Mixed light measuring

## Product information

Occupancy detector designed for corridors
One channel for light switching
One additional potential-free (dry) contact for HVAC
Version as master device
Detection area can be extended by using slave devices
Manual switching via push-button possible
Alarm pulse: the detector triggers only when three movements are detected within 9 seconds
Additional functions can be set up using the optional remote control.
There are markings to ensure correct alignment during installation
Factory settings 10 min and 500 lux (15 min HVAC)

### Application examples: corridors/hallways



## Accessories



**RC-Arc extinction kit**  
Art.No: 10880

Voltage: 230 V AC  $\pm 10\%$   
Dimensions: 38 x 12 x 26 mm  
Degree / class of protection: IP20 / Class II



**Mini-RC-Arc extinction kit**  
Art.No: 10882

Voltage: 230 V AC  $\pm 10\%$   
Dimensions: 50 x 23 x 8 mm  
Degree / class of protection: IP20 / Class II



**BLE-IR-Adapter**  
Art.No: 93067

Dimensions: 40 x 55 x 103 mm  
Material color: black  
Frequency: 2.4 GHz ISM band, GFSK  
0.2 dBm + 5.3 dBi = 5.5 dBm



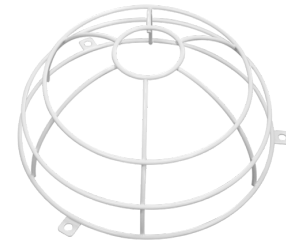
**IR-PD-2C**  
Art.No: 92475

Battery: 3.0 V Lithium CR2032 (inclusive)  
Dimensions: 80 x 60 x 8 mm  
Material color: -



**IR-PD-Mini**  
Art.No: 92159

Battery: 3.0 V Lithium CR2032 (inclusive)  
Dimensions: 57 x 35 x 7 mm  
Material color: -



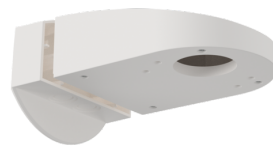
**Wire basket BSK (Ø 200 x 90 mm)**  
Art.No: 92199

Dimensions: Ø 200 x 90 mm  
Impact strength: IK09  
Housing: coated steel basket



**Surface mounting socket IP65 PD4-SM IP54**  
Art.No: 92376

Dimensions: Ø 115 x 70 mm  
Degree / class of protection: IP65  
Impact strength: IK07



**Wall holder PD4-SM**  
Art.No: 92441

Dimensions: 130 x 100 x 53 mm  
Housing: polycarbonate, UV-resistant  
Material color: white



**Blinds PD4**  
Art.No: 92313

Housing: Housing UV- and shockresistant Polycarbonate  
Material color: transparent



**Pendulum mounting set PD2/3/4 SM**

Art.No: 93179

Dimensions: 1 : Ø 113 x 79 mm, 2 : Ø 113  
x 34 mm

Housing: polycarbonate, UV-resistant

Material color: white, similar to RAL9010