

**B.E.G.**

**LUXOMAT®**



## PD4-M-1C-SM Set 92580-92199

Occupancy detector with extended detection area

One potential-free (dry) contact

Version as master device

### Order data

Designation	Colour	Art.No
PD4-M-1C-SM	white	92580
Wire basket BSK (Ø 200 x 90 mm)	white	92199

### Areas of application

- open-plan offices
- conference rooms
- classrooms/seminar rooms
- corridors/hallways

## Technical data

Voltage:	110 - 240 V AC 50 / 60 Hz
Dimensions:	<b>Ø 200 x 90 mm (92199)</b>
Power consumption:	approx. 0.4 W horizontal 360°
Detection area:	(Ceiling mounting) max. Ø 24 m across max. Ø 8 m towards max. Ø 6.4 m seated
Range:	
Monitored area (tangential movement):	450 m <sup>2</sup> / 2.5 m mounting height
Mounting height min./max./recommended:	2 m / 10 m / 2.5 m
Degree / class of protection:	IP20 / Class II
Impact strength:	<b>IK09 (92199)</b>
Ambient temperature:	-25 °C to +50 °C
Housing:	<b>polycarbonate, UV-resistant + coated steel basket (92199)</b>
Material color:	white mat, similar to RAL9010

### Channel 1 (lighting control, potential-free (dry))

Switching power:	2300 W, $\cos \varphi = 1$ 1150 VA, $\cos \varphi = 0.5$ 800 W LED max. inrush current $I_p$ (20 ms) = 165 A max. inrush current $I_p$ (200 $\mu$ s) = 800 A
Type of contact (k):	1x $\mu$ -contact, dry NO contact with tungsten pre- make contact
Follow-up time:	15 sec - 30 min, Pulse
Switch-on threshold:	10 - 2000 Lux
Light measuring:	Mixed light measuring

## Product information

Set : PD4-M-1C-SM + Wire basket BSK (Ø 200 x 90 mm) white

Occupancy detector with extended detection area

One potential-free (dry) contact

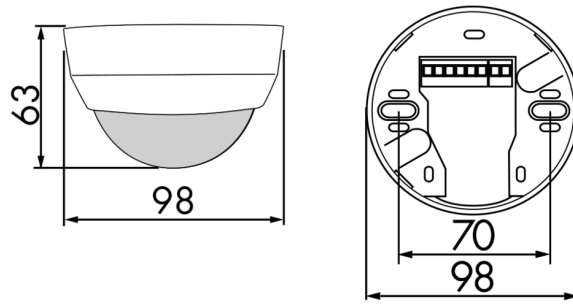
Version as master device

Detection area can be extended by using slave devices

Manual switching via push-button possible

Additional functions can be set up using the optional remote control.

Factory settings 10 min and 500 lux



## Set items

To receive the bundle according to the technical specification, please order the items listed.



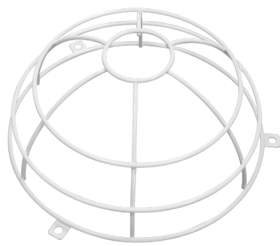
### **PD4-M-1C-SM**

Art.No: 92580

Voltage: 110 – 240 V AC 50 / 60 Hz

Dimensions: Ø 98 x 63 mm

Power consumption: approx. 0.4 W



### **Wire basket BSK (Ø 200 x 90 mm)**

Art.No: 92199

Dimensions: Ø 200 x 90 mm

Impact strength: IK09

Housing: coated steel basket