

B.E.G.**LUXOMAT®**

PD4-M-1C-C-SM

Prod.No. 92587 EAN: 4007529925872

- Voltage: 110 – 240 V AC 50 / 60 Hz
- Dimensions: SM= Ø 101 x 76 mm
- Power consumption: approx. 0.5 W

Areas of application

- corridors/hallways

Order data

Designation	Colour	Art.No
PD4-M-1C-C-SM	white	92587

Accessories

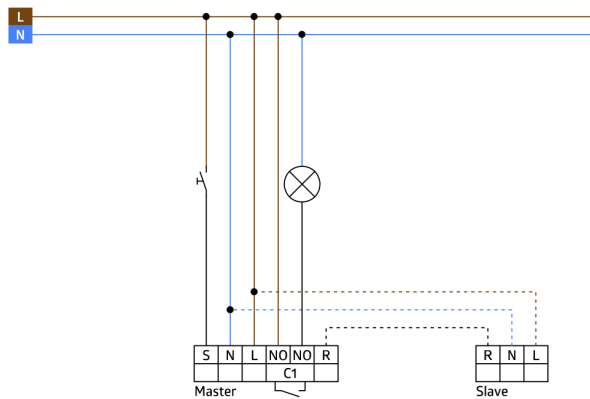
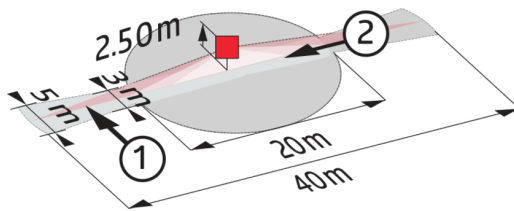
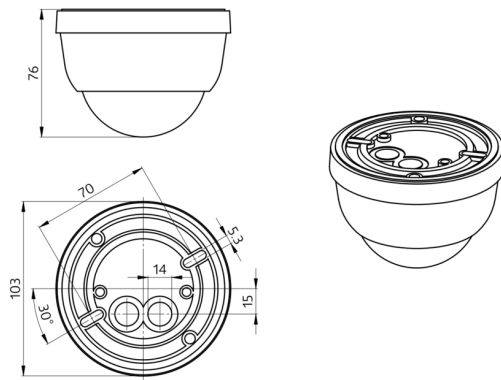
Designation	Colour	Art.No
RC-Arc extinction kit	white	10880
Mini-RC-Arc extinction kit		10882
BLE-IR-Adapter	black	93067
IR-PD-1C	-	92520
IR-PD-1C-E	-	92077
IR-PD-Mini	-	92159
Wire basket BSK (Ø 200 x 90 mm)	white	92199
Wall holder PD4-SM	white	92441

Technical data

Voltage:	110 – 240 V AC 50 / 60 Hz
Dimensions:	SM= Ø 101 x 76 mm
Power consumption:	approx. 0.5 W
Detection area:	horizontal 360° (Ceiling mounting) max. 40 m x 5 m across
Range:	max. 20 m x 3 m towards
Monitored area (tangential movement):	250 m ² / 2.5 m mounting height
Mounting height min./max./recommended:	2.4 m / 2.6 m / 2.5 m
Degree / class of protection:	SM= IP54 / Class II
Impact strength:	IK04
Ambient temperature:	-25 °C to +50 °C
Housing:	polycarbonate, UV-resistant
Material color:	white mat, similar to RAL9010
Channel 1 (lighting control, potential-free (dry))	
Switching power:	2300 W, cos φ = 1 1150 VA, cos φ = 0.5 300 W LED max. inrush current I_p (20 ms) = 165 A max. inrush current I_p (200 μ s) = 800 A
Type of contact (k):	1x μ -contact, dry NO contact with tungsten pre- make contact
Follow-up time:	15 sec – 30 min, Pulse
Switch-on threshold:	10 – 2000 Lux
Light measuring:	Mixed light measuring

Product information

- Occupancy detector designed for corridors
- One potential-free (dry) switching contact
- Version as master device
- Detection area can be extended by using slave devices
- Manual switching via push-button possible
- Additional functions can be set up using the optional remote control.
- Factory settings 10 min and 500 lux
- There are markings to ensure correct alignment during installation
- Application examples:**
corridors/hallways



Accessories



RC-Arc extinction kit
Art.No: 10880

Voltage: 230 V AC $\pm 10\%$
Dimensions: 38 x 12 x 26 mm
Degree / class of protection: IP20 / Class II



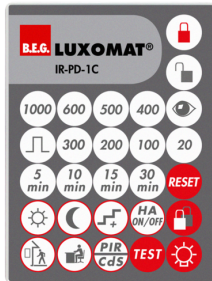
Mini-RC-Arc extinction kit
Art.No: 10882

Voltage: 230 V AC $\pm 10\%$
Dimensions: 50 x 23 x 8 mm
Degree / class of protection: IP20 / Class II



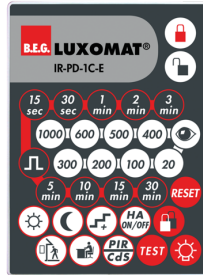
BLE-IR-Adapter
Art.No: 93067

Dimensions: 40 x 55 x 103 mm
Material color: black
Frequency: 2.4 GHz ISM band, GFSK
0.2 dBm + 5.3 dBi = 5.5 dBm



IR-PD-1C
Art.No: 92520

Battery: 3.0 V Lithium CR2032 (inclusive)
Dimensions: 80 x 60 x 8 mm
Material color: -



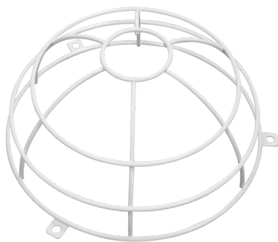
IR-PD-1C-E
Art.No: 92077

Battery: 3.0 V Lithium CR2032 (inclusive)
Dimensions: 80 x 60 x 8 mm
Material color: -



IR-PD-Mini
Art.No: 92159

Battery: 3.0 V Lithium CR2032 (inclusive)
Dimensions: 57 x 35 x 7 mm
Material color: -



Wire basket BSK (Ø 200 x 90 mm)
Art.No: 92199

Dimensions: Ø 200 x 90 mm
Impact strength: IK09
Housing: coated steel basket



Wall holder PD4-SM
Art.No: 92441

Dimensions: 130 x 100 x 53 mm
Housing: polycarbonate, UV-resistant
Material color: white