



## PD4-DALI-LINK-GH-SM

Prod.No. 93845 EAN: 4007529938452

DALI-LINK PIR motion sensor with 360° coverage and a detection area of up to 30 x 19 m (440 m<sup>2</sup>) at a mounting height of 16 m, designed for high-bay warehouses and integration into DALI-LINK lighting control systems

### Order data

Designation	Colour	Art.No
PD4-DALI-LINK-GH-SM	white	93845

### Accessories

Designation	Colour	Art.No
Wire basket BSK (Ø 200 x 90 mm)	white	92199
PS-DALI-LINK-FC	white	92846
PS-DALI-LINK-USB-REG	white	93189
PBM-DALI-LINK-4W-BLE	-	92732
IR-PD-DALI-Mini	-	92112
Blinds PD4	transparent	92313
Pendulum mounting set PD2/3/4 SM	white	93179

## Technical data

Voltage:	via DALI Bus, max. 22.5 V DC
Dimensions:	Ø 101 x 76 mm
Typ. power input:	7 mA
Detection area:	horizontal 360° oval (Ceiling mounting)
Range:	30 m x 19 m
Monitored area (tangential movement):	440 m <sup>2</sup> / 14 m mounting height
Mounting height min./max./recommended:	5 m / 16 m / 14 m
Degree / class of protection:	IP54 / Class II
Impact strength:	IK04
Ambient temperature:	-25 °C to +50 °C
Housing:	polycarbonate, UV-resistant
Material color:	white mat, similar to RAL9010
Follow-up time:	1 sec - 120 min
Orientation light:	5 - 100 % / 1 min - 120 min / ∞
Brightness set value:	10 - 2500 Lux

## Product information

DALI multisensor for surface mounting in large mounting heights

Powered via DALI bus

External telescopic light sensor for a mounting height between 5 and 16 m (mechanically adjustable) for measuring the light according to the application.

Bright LED indication for commissioning

Designed as multimaster device

Logical switching or control output

Guided Light, Soft-Start PLUS, Orientation light PLUS

Works out-of-the box for easy installation check

Seamless integration in DALI lighting control system B.E.G. LUXOMAT®net DALI-LINK as modular multimaster option

Full range of functions can only be activated with other products of the product group B.E.G. LUXOMAT®net DALI-LINK

**When used in high-bay warehouses, care should be taken that, in the cross-aisles of the warehouse, detectors are installed that can detect movement only in the desired aisle locations, by using blinds or other technical arrangements.**

For further information

**<https://www.beg-luxomat.com/en-in/solutions/areas-of-application/great-mounting-heights/>**

This article is a component of a lighting control system from B.E.G., which supports the use of DALI control gear (luminaires, relays) from other manufacturers

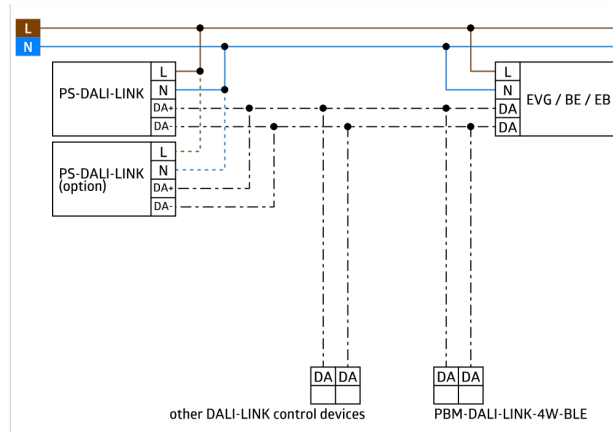
The use of DALI application controllers from other manufacturers is not supported

The use of DALI input devices (sensors, push-buttons) from other manufacturers is not supported

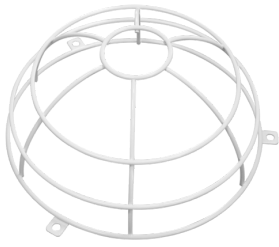
Additional system components (hardware) from B.E.G. are required

Additional free software from B.E.G. is required





## Accessories



**Wire basket BSK (Ø 200 x 90 mm)**  
Art.No: 92199

Dimensions: Ø 200 x 90 mm  
Impact strength: IK09  
Housing: coated steel basket



**PS-DALI-LINK-FC**  
Art.No: 92846

Voltage: 110 - 277 V AC 50 / 60 Hz  
Dimensions: 240 x 26 x 26 mm  
Output voltage: 16 V DC (DALI, typical)



**PS-DALI-LINK-USB-REG**  
Art.No: 93189

Voltage: 230 V AC -15/+10% 50 / 60 Hz  
Dimensions: 90 x 72 x 64 mm (4 TE)  
Settings: with Firmware update function button, B.E.G. PC Tools



**PBM-DALI-LINK-4W-BLE**  
Art.No: 92732

Voltage: via DALI Bus, max. 22.5 V DC  
Dimensions: 38 x 38 x 14 mm  
Settings: Smartphone with DALI-LINK App (iOS / Android)



**IR-PD-DALI-Mini**  
Art.No: 92112

Battery: 3.0 V Lithium CR2032 (inclusive)  
Dimensions: 57 x 35 x 7 mm  
Material color: -



**Blinds PD4**  
Art.No: 92313

Housing: Housing UV- and shockresistant Polycarbonate  
Material color: transparent



**Pendulum mounting set PD2/3/4 SM**  
Art.No: 93179

Dimensions: 1 : Ø 113 x 79 mm, 2 : Ø 113 x 34 mm  
Housing: polycarbonate, UV-resistant  
Material color: white, similar to RAL9010