

**B.E.G.****LUXOMAT®**

## PD3N-2C-FM Set 92188-92199-93087

Remote control-capable ceiling motion detector

One channel for light switching

Zero crossing switching

### Order data

Designation	Colour	Art.No
PD3N-2C-FM	white	92188
Wire basket BSK (Ø 200 x 90 mm)	white	92199
Cover ring PD3N FM	jet black	93087

### Areas of application

- toilets
- equipment rooms
- corridors/hallways
- staircases

## Technical data

Voltage:	110 - 240 V AC 50 / 60 Hz
Dimensions:	<b>Ø 200 x 90 mm (92199)</b>
Power consumption:	approx. 0.5 W horizontal 360°
Detection area:	(Ceiling mounting) max. Ø 10 m across max. Ø 6 m towards max. Ø 4 m seated
Range:	
Monitored area (tangential movement):	78 m <sup>2</sup> / 2.5 m mounting height
Mounting height min./max./recommended:	2 m / 5 m / 2.5 m
Degree / class of protection:	IP20 / Class II
Impact strength:	<b>IK09 (92199)</b>
Ambient temperature:	-25 °C to +50 °C
Housing:	<b>polycarbonate, UV-resistant + coated steel basket (92199) jet black mat, similar to RAL9005 (93087)</b>
Material color:	

### Channel 1 (lighting control)

Switching power:	2300 W, $\cos \varphi = 1$ 1150 VA, $\cos \varphi = 0.5$ 800 W LED max. inrush current $I_p$ (20 ms) = 165 A max. inrush current $I_p$ (200 $\mu$ s) = 800 A
Type of contact (k):	1x $\mu$ -contact, NO contact with tungsten pre- make contact
Follow-up time:	30 sec - 30 min, Pulse
Switch-on threshold:	10 - 2000 Lux

### Channel 2 (HVAC control potential-free (dry))

Switching power:	3 A (230 V), $\cos \varphi = 1$
Type of contact:	1x NO contact (dry)
Follow-up time:	5 min - 120 min

## Product information

Set : PD3N-2C-FM + Wire basket BSK (Ø 200 x 90 mm) white + Cover ring PD3N FM jet black mat, similar to RAL9005

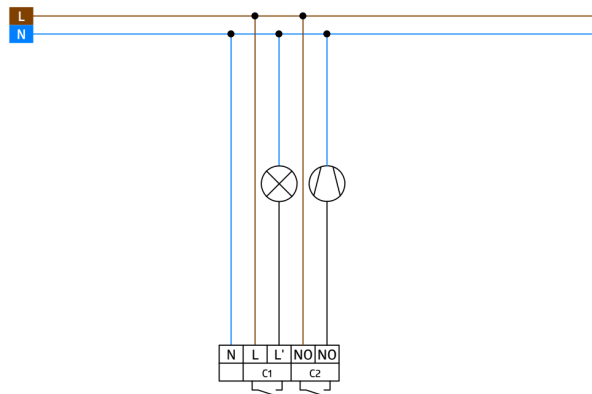
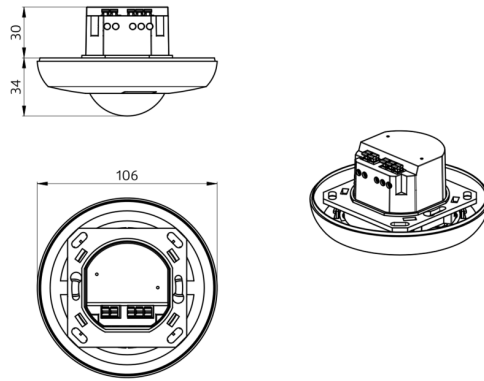
Remote control-capable ceiling motion detector

One channel for light switching

Zero crossing switching

One additional potential-free (dry) contact for HVAC

Additional functions can be set up using the optional remote control.



## Set items

To receive the bundle according to the technical specification, please order the items listed.



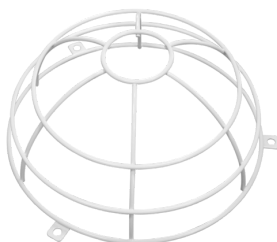
### **PD3N-2C-FM**

Art.No: 92188

Voltage: 110 – 240 V AC 50 / 60 Hz

Dimensions: Ø 106 x 63 mm

Power consumption: approx. 0.5 W



### **Wire basket BSK (Ø 200 x 90 mm)**

Art.No: 92199

Dimensions: Ø 200 x 90 mm

Impact strength: IK09

Housing: coated steel basket



### **Cover ring PD3N FM**

Art.No: 93087

Dimensions: Ø 106 x 17 mm

Housing: polycarbonate, UV-resistant

Material color: jet black mat, similar to RAL9005