

**B.E.G.****LUXOMAT®**

## PD3N-2C-FC

Prod.No. 92198 EAN: 4007529921980

- Voltage: 110 – 240 V AC 50 / 60 Hz
- Dimensions: FC= Ø 83 x 81 mm
- Power consumption: approx. 0.5 W

### Areas of application

- corridors/hallways
- staircases
- toilets
- equipment rooms

### Order data

Designation	Colour	Art.No
PD3N-2C-FC	white	92198

### Accessories

Designation	Colour	Art.No
BLE-IR-Adapter	black	93067
IR-PD3N-2C	-	92115
IR-PD-Mini	-	92159
Wire basket BSK (Ø 200 x 90 mm)	white	92199
RC-Arc extinction kit	white	10880
Mini-RC-Arc extinction kit		10882
Square design frame PD3N-FC	white	92991

## Technical data

Voltage:	110 – 240 V AC 50 / 60 Hz
Dimensions:	FC= Ø 83 x 81 mm
Power consumption:	approx. 0.5 W
Detection area:	horizontal 360° (Ceiling mounting) max. Ø 10 m across max. Ø 6 m towards max. Ø 4 m seated
Range:	
Monitored area (tangential movement):	78 m <sup>2</sup> / 2.5 m mounting height
Mounting height min./max./recommended:	2 m / 5 m / 2.5 m
Degree / class of protection:	FC= IP23 / Class II
Impact strength:	IK04
Ambient temperature:	-25 °C to +50 °C
Housing:	polycarbonate, UV-resistant
Material color:	white mat, similar to RAL9010
<b>Channel 1 (lighting control)</b>	
Switching power:	2300 W, cos $\varphi$ = 1 1150 VA, cos $\varphi$ = 0.5 300 W LED max. inrush current $I_p$ (20 ms) = 165 A max. inrush current $I_p$ (200 $\mu$ s) = 800 A
Type of contact (k):	1x $\mu$ -contact, NO contact with tungsten pre- make contact
Follow-up time:	30 sec – 30 min, Pulse
Switch-on threshold:	10 – 2000 Lux
<b>Channel 2 (HVAC control potential-free (dry))</b>	
Switching power:	3 A (230 V), cos $\varphi$ = 1
Type of contact:	1x NO contact (dry)
Follow-up time:	5 min – 120 min

## Product information

Remote control-capable ceiling motion detector

One channel for light switching

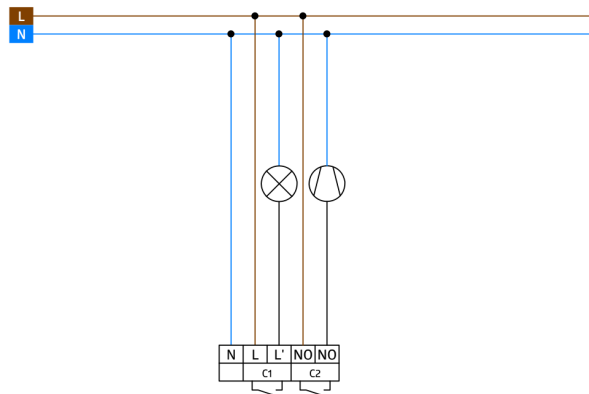
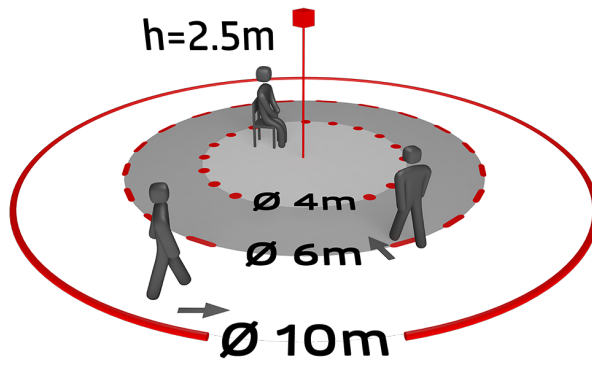
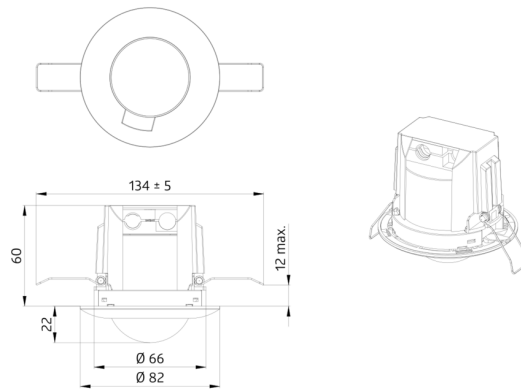
Zero crossing switching

One additional potential-free (dry) contact for HVAC

Additional functions can be set up using the optional remote control.

### Application examples:

corridors/hallways, staircases, toilets, equipment rooms

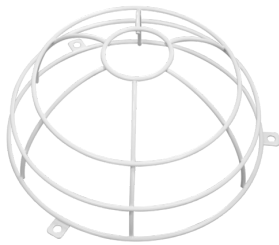


## Accessories



**BLE-IR-Adapter**  
Art.No: 93067

Dimensions: 40 x 55 x 103 mm  
Material color: black  
Frequency: 2.4 GHz ISM band, GFSK 0.2 dBm + 5.3 dBi = 5.5 dBm



**Wire basket BSK (Ø 200 x 90 mm)**  
Art.No: 92199

Dimensions: Ø 200 x 90 mm  
Impact strength: IK09  
Housing: coated steel basket



**Square design frame PD3N-FC**  
Art.No: 92991

Dimensions: 83 x 83 x 8 mm  
Housing: polycarbonate, UV-resistant  
Material color: white mat, similar to RAL9010



**IR-PD3N-2C**  
Art.No: 92115

Battery: 3.0 V Lithium CR2032 (inclusive)  
Dimensions: 80 x 60 x 8 mm  
Material color: -



**RC-Arc extinction kit**  
Art.No: 10880

Voltage: 230 V AC ±10%  
Dimensions: 38 x 12 x 26 mm  
Degree / class of protection: IP20 / Class II



**IR-PD-Mini**  
Art.No: 92159

Battery: 3.0 V Lithium CR2032 (inclusive)  
Dimensions: 57 x 35 x 7 mm  
Material color: -



**Mini-RC-Arc extinction kit**  
Art.No: 10882

Voltage: 230 V AC ±10%  
Dimensions: 50 x 23 x 8 mm  
Degree / class of protection: IP20 / Class II