

**B.E.G.****LUXOMAT®**

## PD3N-1C-NO-PF-FC Set 92576-93086

Remote control-capable ceiling motion detector

One potential-free (dry) switching contact

Zero crossing switching

### Order data

Designation	Colour	Art.No
PD3N-1C-NO-PF-FC	white	92576
Cover ring PD3N FC	jet black	93086

### Areas of application

- underground car parks
- entrance halls
- corridors/hallways
- toilets
- equipment rooms
- small offices
- open-plan offices
- conference rooms

## Technical data

Voltage:	110 - 240 V AC 50 / 60 Hz
Dimensions:	Ø 83 x 81 mm
Power consumption:	approx. 0.4 W
Detection area:	horizontal 360° (Ceiling mounting) max. Ø 10 m across max. Ø 6 m towards max. Ø 4 m seated
Range:	
Monitored area (tangential movement):	78 m <sup>2</sup> / 2.5 m mounting height
Mounting height min./max./recommended:	2 m / 5 m / 2.5 m
Degree / class of protection:	IP23 / Class II
Impact strength:	IK04
Ambient temperature:	-25 °C to +50 °C
Housing:	polycarbonate, UV-resistant
Material color:	<b>jet black mat, similar to RAL9005 (93086)</b>

### Channel 1 (lighting control, potential-free (dry))

Switching power:	2300 W, cos $\varphi$ = 1 1150 VA, cos $\varphi$ = 0.5 800 W LED max. inrush current $I_p$ (20 ms) = 165 A max. inrush current $I_p$ (200 $\mu$ s) = 800 A
Type of contact (k):	1x $\mu$ -contact, dry NO contact with tungsten pre-make contact
Follow-up time:	15 sec - 30 min, Pulse
Switch-on threshold:	10 - 2000 Lux

## Product information

Set : PD3N-1C-NO-PF-FC + Cover ring PD3N FC jet black mat, similar to RAL9005

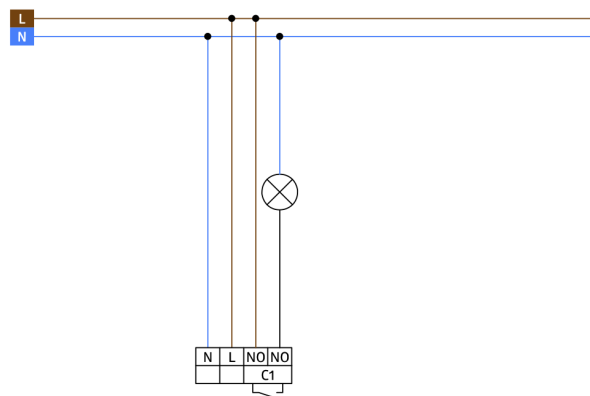
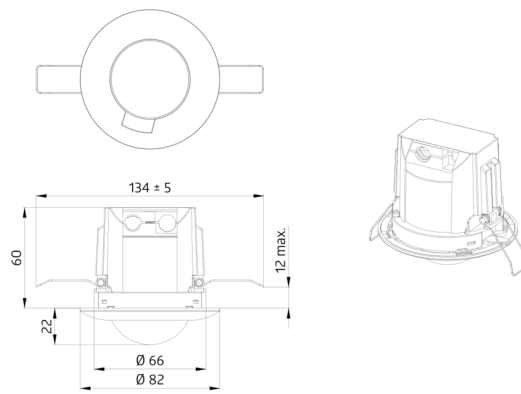
Remote control-capable ceiling motion detector

One potential-free (dry) switching contact

Zero crossing switching

Special optical system for detection of even the smallest movements

Additional functions can be set up using the optional remote control.



## Set items

To receive the bundle according to the technical specification, please order the items listed.



### **PD3N-1C-NO-PF-FC**

Art.No: 92576

Voltage: 110 – 240 V AC 50 / 60 Hz

Dimensions: Ø 83 x 81 mm

Power consumption: approx. 0.4 W

### **Cover ring PD3N FC**

Art.No: 93086

Dimensions: Ø 83 x 6 mm

Housing: polycarbonate, UV-resistant

Material color: jet black mat, similar to RAL9005