

B.E.G.**LUXOMAT®**

PD3N-1C-NO-PF-FC Set 92576-92199-92991

Remote control-capable ceiling motion detector

One potential-free (dry) switching contact

Zero crossing switching

Order data

Designation	Colour	Art.No
PD3N-1C-NO-PF-FC	white	92576
Wire basket BSK (Ø 200 x 90 mm)	white	92199
Square design frame PD3N-FC	white	92991

Areas of application

- underground car parks
- entrance halls
- corridors/hallways
- toilets
- equipment rooms
- small offices
- open-plan offices
- conference rooms

Technical data

Voltage:	110 - 240 V AC 50 / 60 Hz
Dimensions:	Ø 200 x 90 mm (92199)
Power consumption:	approx. 0.4 W horizontal 360°
Detection area:	(Ceiling mounting) max. Ø 10 m across max. Ø 6 m towards max. Ø 4 m seated
Range:	
Monitored area (tangential movement):	78 m ² / 2.5 m mounting height
Mounting height min./max./recommended:	2 m / 5 m / 2.5 m
Degree / class of protection:	IP23 / Class II
Impact strength:	IK09 (92199)
Ambient temperature:	-25 °C to +50 °C
Housing:	polycarbonate, UV-resistant + coated steel basket (92199)
Material color:	white mat, similar to RAL9010

Channel 1 (lighting control, potential-free (dry))

Switching power:	2300 W, $\cos \varphi = 1$ 1150 VA, $\cos \varphi = 0.5$ 800 W LED max. inrush current I_p (20 ms) = 165 A max. inrush current I_p (200 μ s) = 800 A
Type of contact (k):	1x μ -contact, dry NO contact with tungsten pre- make contact
Follow-up time:	15 sec - 30 min, Pulse
Switch-on threshold:	10 - 2000 Lux

Product information

Set : PD3N-1C-NO-PF-FC + Wire basket BSK (Ø 200 x 90 mm) white + Square design frame PD3N-FC white mat, similar to RAL9010

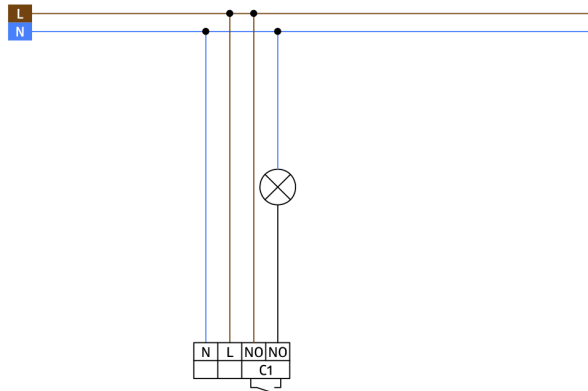
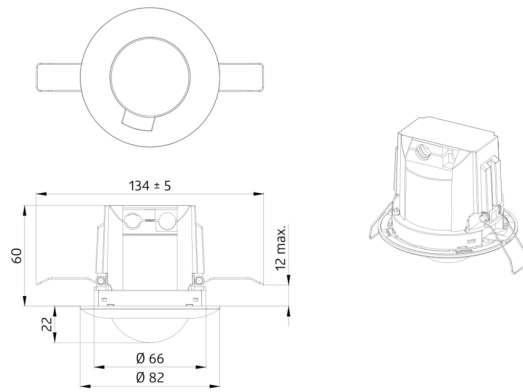
Remote control-capable ceiling motion detector

One potential-free (dry) switching contact

Zero crossing switching

Special optical system for detection of even the smallest movements

Additional functions can be set up using the optional remote control.



Set items

To receive the bundle according to the technical specification, please order the items listed.



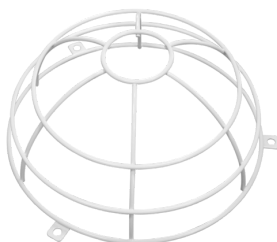
PD3N-1C-NO-PF-FC

Art.No: 92576

Voltage: 110 – 240 V AC 50 / 60 Hz

Dimensions: Ø 83 x 81 mm

Power consumption: approx. 0.4 W



Wire basket BSK (Ø 200 x 90 mm)

Art.No: 92199

Dimensions: Ø 200 x 90 mm

Impact strength: IK09

Housing: coated steel basket



Square design frame PD3N-FC

Art.No: 92991

Dimensions: 83 x 83 x 8 mm

Housing: polycarbonate, UV-resistant

Material color: white mat, similar to RAL9010