

**B.E.G.****LUXOMAT®**

## PD2N-M-DACO-DUO DALI-2

Prod.No. 93453 EAN: 4007529934539

Occupancy detector with integrated DALI  
application controller for energy-efficient lighting  
control

2 channels

DALI-2 certified product

### Areas of application

- small offices
- open-plan offices

### Order data

| Designation            | Colour | Art.No |
|------------------------|--------|--------|
| PD2N-M-DACO-DUO DALI-2 | white  | 93453  |

### Accessories

| Designation                          | Colour        | Art.No |
|--------------------------------------|---------------|--------|
| BLE-IR-Adapter                       | black         | 93067  |
| IR-Adapter for Smartphones           | black         | 92726  |
| IR-PD-DALI                           | -             | 92094  |
| IR-PD-DALI-LD                        | -             | 92652  |
| IR-PD-DALI-E                         | -             | 92122  |
| IR-PD-DALI-Mini                      | -             | 92112  |
| SM socle mounting set IP54 PD2N<br>H | white         | 93454  |
| SM socle mounting set IP54 PD2N<br>H | black         | 93783  |
| SM socle mounting set IP54 PD2N<br>H | traffic white | 93782  |
| SM socle mounting set IP54 PD2N<br>H | anthracite    | 93781  |
| Cover ring PD2N FC                   | black         | 93773  |
| Cover ring PD2N FC                   | traffic white | 93772  |

Subject to technical changes

[beg-luxomat.com](http://beg-luxomat.com)

25.05.2026

|                                 |               |       |
|---------------------------------|---------------|-------|
| Cover ring PD2N FC              | anthracite    | 93771 |
| Wire basket BSK (Ø 200 x 90 mm) | white         | 92199 |
| Wall holder PD2N/4N Typ A       | traffic white | 93702 |
| Wall holder PD2N/4N Typ A       | anthracite    | 93701 |
| Wall holder PD2N/4N Typ A       | white         | 93700 |
| Wall holder PD2N/4N Typ A       | black         | 93703 |
| Wall holder PD2N/4N Typ A       | white         | 93164 |
| Blinds PD2N/PD3N                |               | 37367 |

## Technical data

|   |  |
|---|--|
| Voltage:                                  | 230 V AC $\pm$ 10%<br>50 Hz  |
| Dimensions:                               | Ø 84 x 85 mm   |
| Power consumption:                        | approx. 3 W  |
| Slave devices:                            | up to 4  |
| Detection area:                           | horizontal 360°<br>(Ceiling<br>mounting)<br>max. Ø 10 m<br>across<br>max. Ø 6 m<br>towards<br>max. Ø 4 m<br>seated |
| Range:                                    |  |
| Monitored area (tangential<br>movement):  | 78 m <sup>2</sup> / 2.5 m<br>mounting<br>height  |
| Mounting height<br>min./max./recommended: | 2 m / 5 m / 2.5<br>m   |
| Degree / class of<br>protection:          | IP20 / Class II  |
| Impact strength:                          | IK05   |
| Ambient temperature:                      | -25 °C to +50<br>°C  |
| Housing:                                  | polycarbonate,<br>UV-resistant   |
| Material color:                           | white mat,<br>similar to<br>RAL9010  |

### Channel 1 and Channel 2 (lighting control)

|                            |   |
|----------------------------|---|
| DALI output:               | 40 mA<br>(guaranteed),<br>60 mA (max.),<br>shut down<br>mechanism |
| Supported control gear:    | DT0, DT5, DT6,<br>DT7   |
| Supported control devices: | - (single<br>master)  |
| Follow-up time:            | 1 min – 150 min<br>10 – 30 % / OFF                                |
| Orientation light:         | / 5 min – 60<br>min / $\infty$                                    |
| Brightness set value:      | 10 – 2500 Lux   |
| Light measuring:           | Mixed light<br>measuring  |

## Product information

|  |
|--|
| Occupancy detector with integrated DALI application<br>controller for energy-efficient lighting control                                |
| 2 channels   |
| DALI-2 certified product   |
| Integrated DALI power supply   |
| DALI interface for controlling digital, dimmable ECGs in<br>broadcast mode   |
| Manual switching or dimming via conventional pushbuttons   |
| Bidirectional IR communication enables fast integration into<br>the project management function of the B.E.G. One app                  |
| Complete range of functions can only be activated using the<br>BLE-IR-Adapter and a compatible Smartphone or Tablet<br>(Android, iOS). |
| Semi-automatic, full automatic, presence-independent or<br>light-independent mode adjustable   |
| Adjustable regulation dynamics (minimum and maximum<br>values)   |
| Adjustable speed and delay of the regulation   |
| Single master version, not networkable   |
| Detection area can be extended by using slave devices  |
| Mixed light measurement with internal and external light<br>sensor   |
| DALI output power can be increased with accessories  |
| Integrated daylight harvesting circuit (or switch output)  |
| Adjustable switch-on value   |
| Last value - Reminder function for switch-on value   |
| Adjustable brightness set value and reflection factor  |
| Indication of the current light sensor value in the B.E.G. One<br>App  |
| Self-check and display of device errors in the B.E.G. One App  |
| Status LEDs can be activated / deactivated   |
| PIN code   |
| Corridor function - Deactivates the possibility to switch off the<br>light via the push-button   |
| Number of DALI participants can be determined quickly and<br>reliably via the B.E.G. Online DALI Line Planner                          |
| Software is backwards compatible with the first generation<br>(except DSI, double lock and corridor function)                          |

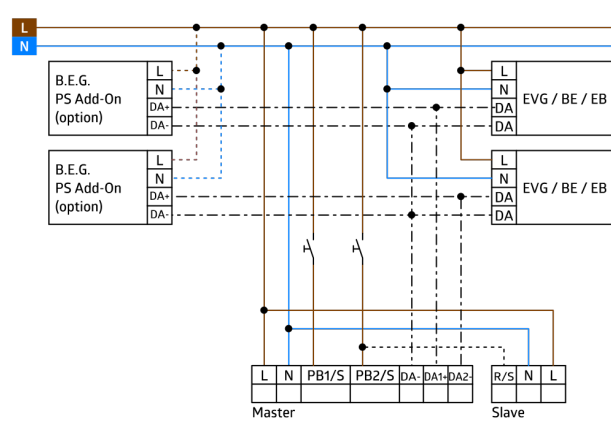
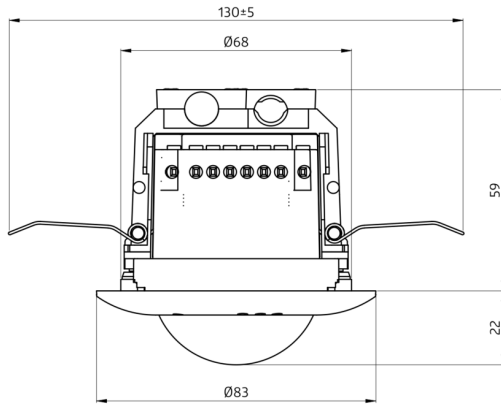
Factory setting 10 min follow-up time and 500 lux brightness set value

Including pre-assembled spring clamp with strain relief and contact protection cap for recessed ceiling mounting

Accessory for surface mounting available

**Application examples:**

small offices, open-plan offices



## Accessories



**BLE-IR-Adapter**  
Art.No: 93067

Dimensions: 40 x 55 x 103 mm  
Material color: black  
Frequency: 2.4 GHz ISM band, GFSK  
0.2 dBm + 5.3 dBi = 5.5 dBm



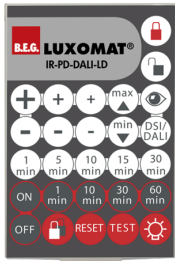
**IR-Adapter for Smartphones**  
Art.No: 92726

Dimensions: 47 x 19 x 10 mm  
Degree / class of protection: IP20  
Ambient temperature: -20 °C to +40 °C



**IR-PD-DALI**  
Art.No: 92094

Battery: 3.0 V Lithium CR2032 (inclusive)  
Dimensions: 80 x 60 x 8 mm  
Material color: -



**IR-PD-DALI-LD**  
Art.No: 92652

Battery: 3 x 1.5 V Micro AAA (not included)  
Dimensions: 83 x 53 x 17 mm  
Material color: -



**IR-PD-DALI-E**  
Art.No: 92122

Battery: 3.0 V Lithium CR2032 (inclusive)  
Dimensions: 80 x 60 x 8 mm  
Material color: -



**IR-PD-DALI-Mini**  
Art.No: 92112

Battery: 3.0 V Lithium CR2032 (inclusive)  
Dimensions: 57 x 35 x 7 mm  
Material color: -



**SM socle mounting set IP54 PD2N H**  
Art.No: 93454

Dimensions: Ø 110 x 65 mm  
Degree / class of protection: IP54  
Material color: white, similar to RAL9010



**SM socle mounting set IP54 PD2N H**  
Art.No: 93783

Dimensions: Ø 110 x 65 mm  
Degree / class of protection: IP54  
Material color: black, similar to RAL9005



**SM socle mounting set IP54 PD2N H**  
Art.No: 93782

Dimensions: Ø 110 x 65 mm  
Degree / class of protection: IP54  
Material color: traffic white, similar to RAL9016



**SM socle mounting set IP54 PD2N H**  
Art.No: 93781

Dimensions: Ø 110 x 65 mm  
Degree / class of protection: IP54  
Material color: anthracite, similar to RAL7016



**Cover ring PD2N FC**  
Art.No: 93773

Dimensions: Ø 82 x 13 mm  
Impact strength: IK05  
Housing: polycarbonate, UV-resistant



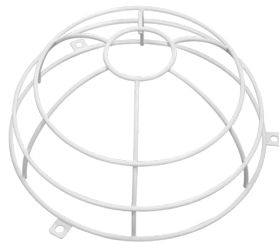
**Cover ring PD2N FC**  
Art.No: 93772

Dimensions: Ø 82 x 13 mm  
Impact strength: IK05  
Housing: polycarbonate, UV-resistant



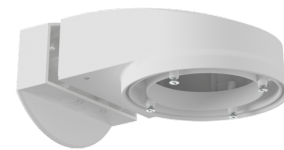
**Cover ring PD2N FC**  
Art.No: 93771

Dimensions: Ø 82 x 13 mm  
Impact strength: IK05  
Housing: polycarbonate, UV-resistant



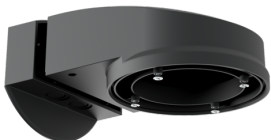
**Wire basket BSK (Ø 200 x 90 mm)**  
Art.No: 92199

Dimensions: Ø 200 x 90 mm  
Impact strength: IK09  
Housing: coated steel basket



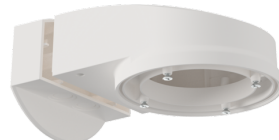
**Wall holder PD2N/4N Typ A**  
Art.No: 93702

Dimensions: 133 x 106 x 66 mm  
Degree / class of protection: IP54 / Class II  
Housing: polycarbonate, UV-resistant



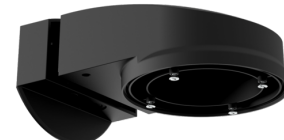
**Wall holder PD2N/4N Typ A**  
Art.No: 93701

Dimensions: 133 x 106 x 66 mm  
Degree / class of protection: IP54 / Class II  
Housing: polycarbonate, UV-resistant



**Wall holder PD2N/4N Typ A**  
Art.No: 93700

Dimensions: 133 x 106 x 66 mm  
Degree / class of protection: IP54 / Class II  
Housing: polycarbonate, UV-resistant



**Wall holder PD2N/4N Typ A**  
Art.No: 93703

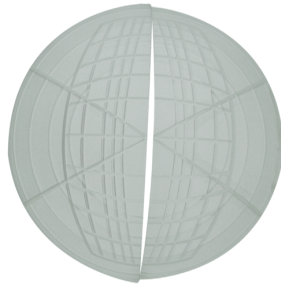
Dimensions: 133 x 106 x 66 mm  
Degree / class of protection: IP54 / Class II  
Housing: polycarbonate, UV-resistant



**Wall holder PD2N/4N Typ A**

Art.No: 93164

Dimensions: 133 x 106 x 66 mm  
Degree / class of protection: IP54 /  
Housing: polycarbonate, UV-resistant



**Blinds PD2N/PD3N**

Art.No: 37367

Housing: ABS