

B.E.G.**LUXOMAT®**

PD2N-M-DACO DALI-2 Set 93452-93783-92199

Occupancy detector with integrated DALI application controller for energy-efficient lighting control

DALI-2 certified product

Integrated DALI power supply

Order data

Designation	Colour	Art.No
PD2N-M-DACO DALI-2	white	93452
SM socle mounting set IP54 PD2N H	black	93783
Wire basket BSK (Ø 200 x 90 mm)	white	92199

Areas of application

- small offices
- open-plan offices

Technical data

Voltage:	230 V AC \pm 10% 50 Hz
Dimensions:	Ø 200 x 90 mm (92199)
Power consumption:	approx. 2 W
Slave devices:	up to 8
Detection area:	horizontal 360° (Ceiling mounting) max. Ø 10 m across max. Ø 6 m towards max. Ø 4 m seated
Range:	
Monitored area (tangential movement):	78 m ² / 2.5 m mounting height
Mounting height min./max./recommended:	2 m / 5 m / 2.5 m
Degree / class of protection:	IP54 (93783)
Impact strength:	IK09 (92199)
Ambient temperature:	-25 °C to +50 °C polycarbonate, UV-resistant + coated steel basket (92199)
Housing:	black, similar to RAL9005 (93783)
Material color:	

Channel 1 (lighting control)

DALI output:	80 mA (guaranteed), 125 mA (max.), shut down mechanism
Supported control gear:	DT0, DT5, DT6, DT7
Supported control devices:	- (single master)
Follow-up time:	1 min - 150 min 10 - 30 % / OFF / 5 min - 60 min / ∞
Orientation light:	
Brightness set value:	10 - 2500 Lux
Light measuring:	Mixed light measuring

Product information

Set : PD2N-M-DACO DALI-2 + SM socle mounting set
IP54 PD2N H black, similar to RAL9005 + Wire basket
BSK (Ø 200 x 90 mm) white

Occupancy detector with integrated DALI application
controller for energy-efficient lighting control

DALI-2 certified product

Integrated DALI power supply

DALI interface for controlling digital, dimmable ECGs in
broadcast mode

Manual switching or dimming via conventional pushbuttons

Bidirectional IR communication enables fast integration into
the project management function of the B.E.G. One app

Complete range of functions can only be activated using the
BLE-IR-Adapter and a compatible Smartphone or Tablet
(Android, iOS).

Semi-automatic, full automatic, presence-independent or
light-independent mode adjustable

Adjustable regulation dynamics (minimum and maximum
values)

Adjustable speed and delay of the regulation

Single master version, not networkable

Detection area can be extended by using slave devices

Mixed light measurement with internal and external light
sensor

DALI output power can be increased with accessories

Integrated daylight harvesting circuit (or switch output)

Adjustable switch-on value

Last value - Reminder function for switch-on value

Adjustable brightness set value and reflection factor

Indication of the current light sensor value in the B.E.G. One
App

Self-check and display of device errors in the B.E.G. One App

Status LEDs can be activated / deactivated

PIN code

Corridor function - Deactivates the possibility to switch off the
light via the push-button

Number of DALI participants can be determined quickly and
reliably via the B.E.G. Online DALI Line Planner

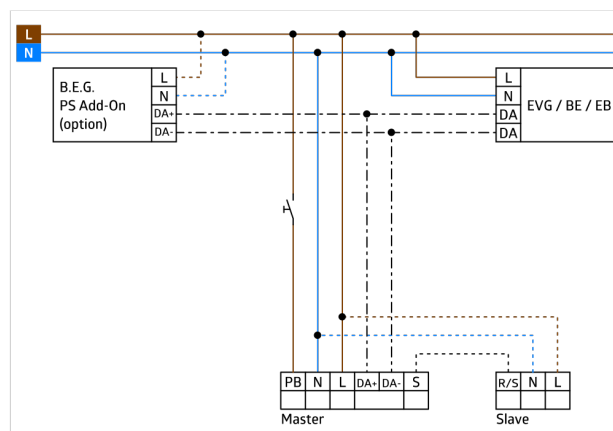
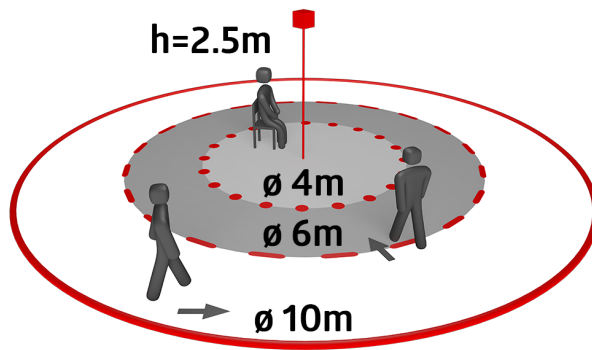
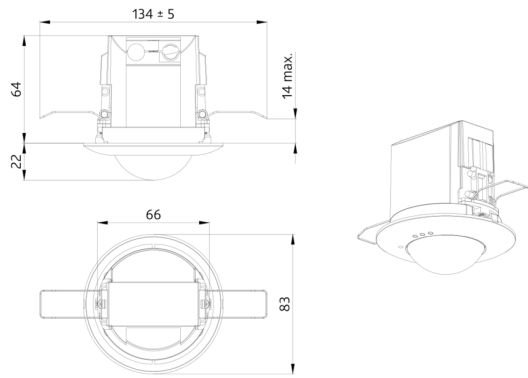
Software is backwards compatible with the first generation

(except DSI, double lock and corridor function)

Factory setting 10 min follow-up time and 500 lux brightness set value

Including pre-assembled spring clamp with strain relief and contact protection cap for recessed ceiling mounting

Accessory for surface mounting available



Set items

To receive the bundle according to the technical specification, please order the items listed.



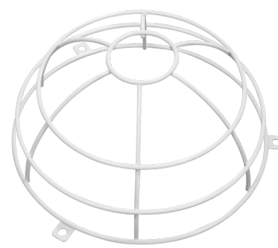
PD2N-M-DACO DALI-2
Art.No: 93452

Voltage: 230 V AC $\pm 10\%$ 50 Hz
Dimensions: $\varnothing 84 \times 85$ mm
Power consumption: approx. 2 W



SM socle mounting set IP54 PD2N H
Art.No: 93783

Dimensions: $\varnothing 110 \times 65$ mm
Degree / class of protection: IP54
Material color: black, similar to RAL9005



Wire basket BSK ($\varnothing 200 \times 90$ mm)
Art.No: 92199

Dimensions: $\varnothing 200 \times 90$ mm
Impact strength: IK09
Housing: coated steel basket