

B.E.G.**LUXOMAT®**

PD2N-M-DACO-1C DALI-2 Set 93455-93783

- Voltage: 230 V AC $\pm 10\%$ 50 Hz
- Dimensions: $\varnothing 84 \times 85 \text{ mm} + \varnothing 110 \times 65 \text{ mm}$ (93783)
- Power consumption: approx. 2 W

Order data

Designation	Colour	Art.No
PD2N-M-DACO-1C DALI-2	white	93455
SM socle mounting set IP54 PD2N H	black	93783

Areas of application

- small offices
- open-plan offices

Technical data

Voltage:	230 V AC \pm 10% 50 Hz
Dimensions:	Ø 84 x 85 mm + Ø 110 x 65 mm (93783)
Power consumption:	approx. 2 W
Slave devices:	up to 8
Detection area:	horizontal 360° (Ceiling mounting) max. Ø 10 m across max. Ø 6 m towards max. Ø 4 m seated
Range:	78 m ² / 2.5 m mounting height
Monitored area (tangential movement):	2 m / 5 m / 2.5 m
Mounting height min./max./recommended:	
Degree / class of protection:	IP54 (93783)
Impact strength:	IK05
Ambient temperature:	-25 °C to +50 °C
Housing:	polycarbonate, UV-resistant
Material color:	black, similar to RAL9005 (93783)

Channel 1 (lighting control)

DALI output:	80 mA (guaranteed), 125 mA (max.), shut down mechanism
Supported control gear:	DT0, DT5, DT6, DT7
Supported control devices:	- (single master)
Follow-up time:	1 min - 150 min
Orientation light:	10 - 30 % / OFF / 5 min - 60 min / ∞
Brightness set value:	10 - 2500 Lux

Channel 2 (HVAC or lighting control)

Switching power:	2300 W, cos ϕ = 1 1150 VA, cos ϕ = 0.5 800 W LED max. inrush current I _p (20 ms) = 165 A
Type of contact:	1x μ -contact, dry, bistable

Product information

Set : PD2N-M-DACO-1C DALI-2 + SM socle mounting
set IP54 PD2N H black, similar to RAL9005

Occupancy detector with integrated DALI application
controller for energy-efficient lighting control

DALI-2 certified product

Integrated DALI power supply

DALI interface for controlling digital, dimmable ECGs in
broadcast mode

Manual switching or dimming via conventional pushbuttons

Bidirectional IR communication enables fast integration into
the project management function of the B.E.G. One app

Complete range of functions can only be activated using the
BLE-IR-Adapter and a compatible Smartphone or Tablet
(Android, iOS).

Semi-automatic, full automatic, presence-independent or
light-independent mode adjustable

Powerful switching relay for different operating modes, e.g.
Cut-off function for DALI ballasts, HVAC, blackboard
illumination.

Adjustable regulation dynamics (minimum and maximum
values)

Adjustable speed and delay of the regulation

Single master version, not networkable

Detection area can be extended by using slave devices

Mixed light measurement with internal and external light
sensor

DALI output power can be increased with accessories

Integrated daylight harvesting circuit (or switch output)

Adjustable switch-on value

Last value - Reminder function for switch-on value

Adjustable brightness set value and reflection factor

Indication of the current light sensor value in the B.E.G. One
App

Self-check and display of device errors in the B.E.G. One App

Status LEDs can be activated / deactivated

PIN code

Corridor function - Deactivates the possibility to switch off the
light via the push-button

Number of DALI participants can be determined quickly and

Follow-up time: 5 min - 120 min, Alarm pulse, Pulse
Light measuring: Mixed light measuring

reliably via the B.E.G. Online DALI Line Planner

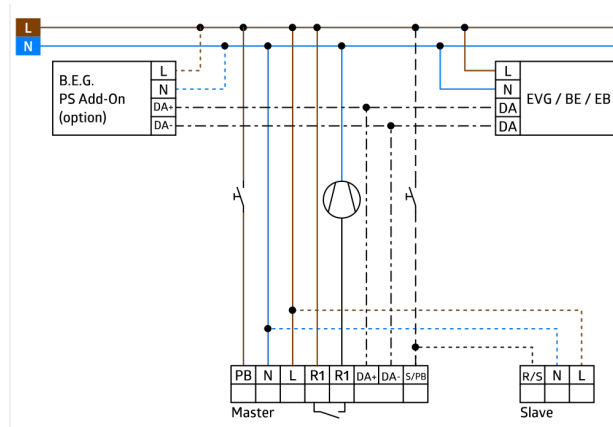
Avoidance of standby losses of the lighting system in accordance with EnEV DIN V 18599-4

Software is backwards compatible with the first generation (except DSI, double lock and corridor function)

Factory setting 10 min follow-up time and 500 lux brightness set value

Including pre-assembled spring clamp with strain relief and contact protection cap for recessed ceiling mounting

Accessory for surface mounting available



Set items

To receive the bundle according to the technical specification, please order the items listed.



PD2N-M-DACO-1C DALI-2
Art.No: 93455

Voltage: 230 V AC $\pm 10\%$ 50 Hz
Dimensions: $\varnothing 84 \times 85$ mm
Power consumption: approx. 2 W



SM socle mounting set IP54 PD2N H
Art.No: 93783

Dimensions: $\varnothing 110 \times 65$ mm
Degree / class of protection: IP54
Material color: black, similar to RAL9005