



PD2N-KNXs-OCCULOG-DX-FC

Prod.No. 93530 EAN: 4007529935307

KNX PIR Motion Sensor (Deluxe) with 360° detection and a range of up to Ø10m (78 m²), multi-sensor with temperature, air quality, and humidity control

Order data

Designation	Colour	Art.No
PD2N-KNXs-OCCULOG-DX-FC	white	93530

Accessories

Designation	Colour	Art.No
BLE-IR-Adapter	black	93067
IR-PD-KNX	-	92123
IR-PD-KNX-Mini	-	93398
Wire basket BSK (Ø 200 x 90 mm)	white	92199
Blinds PD2N/PD3N		37367

Technical data

Voltage:	via KNX BUS
Dimensions:	Ø 83 x 55 mm
Typ. power input:	25 mA
Detection area:	horizontal 360° (Ceiling mounting) max. Ø 10 m across max. Ø 6 m towards max. Ø 4 m seated
Range:	78 m ² / 2.5 m mounting height
Monitored area (tangential movement):	2 m / 5 m / 2.5 m
Mounting height min./max./recommended:	IP20 / Class III
Degree / class of protection:	IK05
Impact strength:	-5 °C to +45 °C
Temperature measurement range:	-25 °C to +55 °C
Ambient temperature:	polycarbonate, UV-resistant
Housing:	white mat, similar to RAL9010
Material color:	2
Number of light sensors:	1
Number of PIR sensors:	Yes
KNX TP 256:	Yes
KNX Secure:	5 - 100 % / OFF / 1 min - 255 min
Orientation light:	5 - 100 %
Night light:	5 - 2000 Lux
Brightness set value:	

Product information

KNX occupancy detector with integrated KNX bus connector
Low installation depth
1 x Light (for regulating or switching), 1 x slave output, 3 separate HVAC-blocs
Intelligent semi-automatic mode, occupancy-independent regulating mode (photoelectric switch), full automatic mode
Two logic modules
Individual adaption of the PIR sensor sensitivity
Mixed light measurement with internal and external light sensor
Various locking functions
Status LEDs can be activated / deactivated
Programming button (phys. address) can be operated via remote control
Regulation of up to three lighting groups using offset (external influence possible)
Short presence, self-adjusting follow-up time, corridor function
Recall of light scenes
Temperature- and noise sensor
Measurement of air quality based on volatile organic compounds (VOC)
Up to 4 limit values possible
Measurement of relative air humidity
All values can be sent to the bus and used for HVAC applications
Controller for temperature, air quality and humidity
HVAC mode (0=automatic, 1=comfort, 2=stand-by, 3=economy, 4=antifreeze/heat protection)
5 button remote control, programmable at choice (accessory)
Occupancy simulation
Detection area can be extended thanks to master-slave-mode
Extensive optimization options for light measurement
Measured light value is communicated to the bus
IR remote control-capable via IR remote control (optionally)
PIN code
Manual influence via external KNX push buttons possible
Function control (heartbeat, cyclical sending)

Forced switch-off

Intelligent central-off function

Premonition of switch-off

Behaviour upon bus voltage return definable at choice

Variable safety pause after switching off the lights

Parameterisation from ETS 5 for integration into KNX systems

The product database for import into the ETS database can be downloaded from the B.E.G. homepage.

Adaption of dimming curve

Determination of the reflection factor, e.g. on a desk, with the optional BLE-IR-Adapter

Burn-in function for fluorescent lamps selectable from 1h till 100h

Soft-start

Integrated Tunable White controller for human-centric lighting

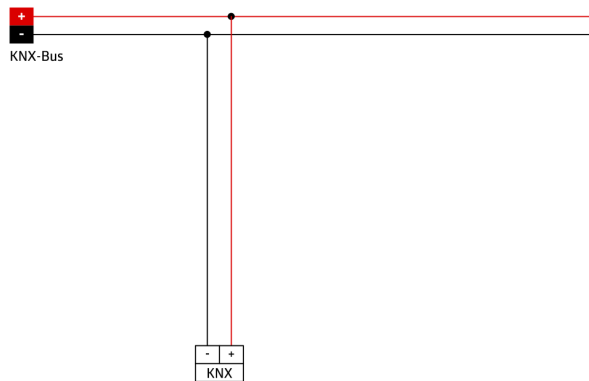
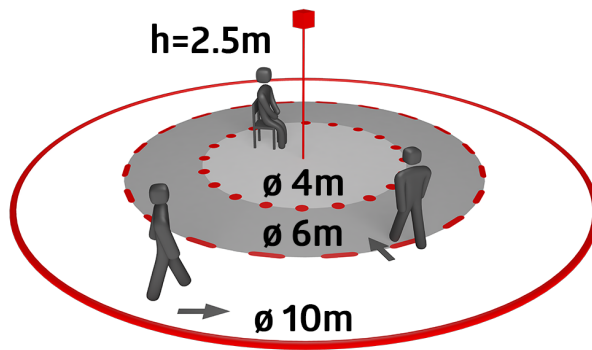
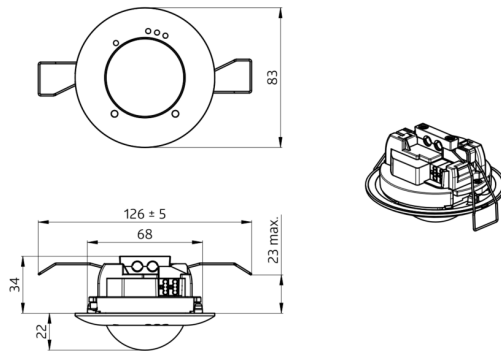
RGB control

Spring-clamps

Blinds

Typical applications:

Offices, conference rooms, schools, nursery schools, hospitals

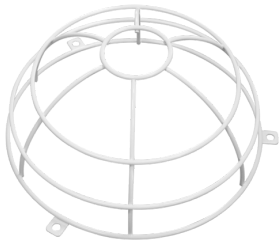


Accessories



BLE-IR-Adapter
Art.No: 93067

Dimensions: 40 x 55 x 103 mm
Material color: black
Frequency: 2.4 GHz ISM band, GFSK 0.2 dBm + 5.3 dBi = 5.5 dBm



Wire basket BSK (Ø 200 x 90 mm)
Art.No: 92199

Dimensions: Ø 200 x 90 mm
Impact strength: IK09
Housing: coated steel basket



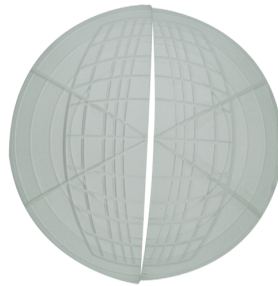
IR-PD-KNX
Art.No: 92123

Battery: 3.0 V Lithium CR2032 (inclusive)
Dimensions: 80 x 60 x 8 mm
Material color: -



IR-PD-KNX-Mini
Art.No: 93398

Battery: 3.0 V Lithium CR2032 (inclusive)
Dimensions: 57 x 35 x 7 mm
Material color: -



Blinds PD2N/PD3N
Art.No: 37367

Housing: ABS