



## PD2N-KNXs-DX-FC Set 93512-93771-92199

KNX PIR Motion Sensor (Deluxe) with 360°  
detection and a range of up to Ø10m (78 m<sup>2</sup>)

### Order data

Designation	Colour	Art.No
PD2N-KNXs-DX-FC	white	93512
Cover ring PD2N FC	anthracite	93771
Wire basket BSK (Ø 200 x 90 mm)	white	92199

## Technical data

Voltage:	via KNX BUS
Dimensions:	<b>Ø 200 x 90 mm (92199)</b>
Typ. power input:	12 mA
Detection area:	horizontal 360° (Ceiling mounting) max. Ø 10 m across max. Ø 6 m towards max. Ø 4 m seated
Range:	
Monitored area (tangential movement):	78 m <sup>2</sup> / 2.5 m mounting height
Mounting height min./max./recommended:	2 m / 5 m / 2.5 m
Degree / class of protection:	IP20 / Class III
Impact strength:	<b>IK09 (92199)</b>
Temperature measurement range:	-5 °C to +45 °C
Ambient temperature:	-25 °C to +55 °C
Housing:	<b>polycarbonate, UV-resistant + coated steel basket (92199)</b>
Material color:	<b>anthracite mat, similar to RAL7016 (93771)</b>
Number of light sensors:	2
Number of PIR sensors:	1
KNX TP 256:	Yes
KNX Secure:	Yes
Orientation light:	5 - 100 % / OFF / 1 min - 255 min
Night light:	5 - 100 %
Brightness set value:	5 - 2000 Lux

## Product information

Set : PD2N-KNXs-DX-FC + Cover ring PD2N FC anthracite mat, similar to RAL7016 + Wire basket BSK (Ø 200 x 90 mm) white

KNX occupancy detector with integrated KNX bus connector

KNX Secure ready

HCL/RGB control

Parameterisation from ETS 5 for integration into KNX systems

Individual adaption of the PIR sensor sensitivity

Mixed light measurement using internal, external and remote (optional) light sensors

Intelligent semi-automatic mode, occupancy-independent regulating mode (photoelectric switch), full automatic mode

1 x Light (for regulating or switching), 1 x slave output, 3 separate HVAC-blocs

Regulation of up to three lighting groups using offset (external influence possible)

Short presence, self-adjusting follow-up time, corridor function

Various locking functions

Soft-start

Two logic modules

Recall of light scenes

Deactivatable status indicators

Temperature- and noise sensor

The product database for import into the ETS database can be downloaded from the B.E.G. homepage.

Detection area can be extended thanks to master-slave-mode

Extensive optimization options for light measurement

Measured light value is communicated to the bus

Adaption of dimming curve

Bidirectionally remote control-capable with the IR adapter and the B.E.G. smartphone app

PIN code

IR remote control-capable via IR remote control (optionally)

5 button remote control, programmable at choice (accessory)

Programming button (phys. address) can be operated via remote control

HVAC mode (0=automatic, 1=comfort, 2=stand-by,

3=economy, 4=antifreeze/heat protection)

Manual influence via external KNX push buttons possible

Function control (heartbeat, cyclical sending)

Occupancy simulation

Forced switch-off

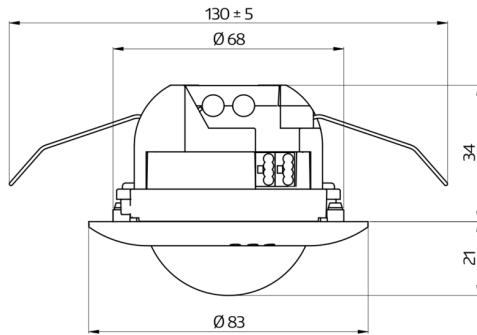
Intelligent central-off function

Premonition of switch-off

Burn-in function for fluorescent lamps selectable from 1h till 100h

Behaviour upon bus voltage return definable at choice

Variable safety pause after switching off the lights



## Set items

To receive the bundle according to the technical specification, please order the items listed.



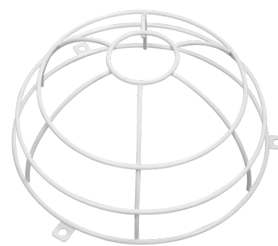
**PD2N-KNXs-DX-FC**  
Art.No: 93512

Voltage: via KNX BUS  
Dimensions: Ø 83 x 55 mm  
Typ. power input: 12 mA



**Cover ring PD2N FC**  
Art.No: 93771

Dimensions: Ø 82 x 13 mm  
Impact strength: IK05  
Housing: polycarbonate, UV-resistant



**Wire basket BSK (Ø 200 x 90 mm)**  
Art.No: 92199

Dimensions: Ø 200 x 90 mm  
Impact strength: IK09  
Housing: coated steel basket