

B.E.G.**LUXOMAT[®]net**

PD2N-KNX-ST-FC

Prod.No. 93382 EAN: 4007529933822

- Voltage: via KNX BUS
- Dimensions: Ø 83 x 55 mm
- Typ. power input: 12 mA

Order data

Designation	Colour	Art.No
PD2N-KNX-ST-FC	white	93382

Accessories

Designation	Colour	Art.No
BLE-IR-Adapter	black	93067
IR-PD-KNX	-	92123
Wire basket BSK (Ø 200 x 90 mm)	white	92199
Cover ring PD2N FC	black	93773
Cover ring PD2N FC	traffic white	93772
Cover ring PD2N FC	anthracite	93771

Technical data

Voltage:	via KNX BUS
Dimensions:	Ø 83 x 55 mm
Typ. power input:	12 mA
Detection area:	horizontal 360° (Ceiling mounting) max. Ø 10 m across max. Ø 6 m towards max. Ø 4 m seated
Range:	78 m ² / 2.5 m mounting height
Monitored area (tangential movement):	2 m / 5 m / 2.5 m
Mounting height min./max./recommended:	IP20 / Class III
Degree / class of protection:	-25 °C to +55 °C
Ambient temperature:	polycarbonate, UV-resistant
Housing:	white mat, similar to RAL9010
Material color:	2
Number of light sensors:	1
Number of PIR sensors:	Yes
KNX TP 256:	5 - 100 % / OFF / 1 min - 255 min
Orientation light:	5 - 100 %
Night light:	5 - 2000 Lux
Brightness set value:	

Product information

KNX occupancy detector with integrated KNX bus connector

Low installation depth

1 x Light (for regulating or switching), 1 x slave output, 3 separate HVAC-blocs

Intelligent semi-automatic mode, occupancy-independent regulating mode (photoelectric switch), full automatic mode

Individual adaption of the PIR sensor sensitivity

Mixed light measurement with internal and external light sensor

Various locking functions

Status LEDs can be activated / deactivated

Programming button (phys. address) can be operated via remote control

Regulation/switching of three light groups via offset (external influence possible)

Short presence, self-adjusting follow-up time, corridor function

Recall of light scenes

HVAC mode (0=automatic, 1=comfort, 2=stand-by, 3=economy, 4=antifreeze/heat protection)

Detection area can be extended thanks to master-slave-mode

Extensive optimization options for light measurement

Measured light value is communicated to the bus

IR remote control-capable via IR remote control (optionally)

PIN code

Manual influence via external KNX push buttons possible

Function control (heartbeat, cyclical sending)

Forced switch-off

Intelligent central-off function

Premonition of switch-off

Behaviour upon bus voltage return definable at choice

Variable safety pause after switching off the lights

Settings ex ETS 4 for integration in KNX systems

The product database for import into the ETS database can be downloaded from the B.E.G. homepage.

Adaption of dimming curve

Determination of the reflection factor, e.g. on a desk, with the optional BLE-IR-Adapter

Burn-in function for fluorescent lamps selectable from 1h till 100h

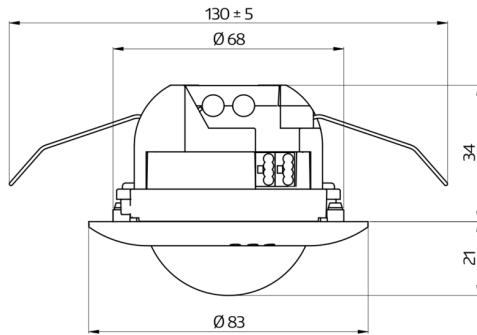
Soft-start

Spring-clamps

Blinds

Application examples:

small offices, conference rooms, staircases, open-plan offices, classrooms/seminar rooms



Accessories



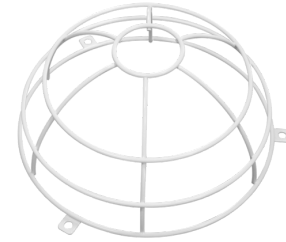
BLE-IR-Adapter
Art.No: 93067

Dimensions: 40 x 55 x 103 mm
Material color: black
Frequency: 2.4 GHz ISM band, GFSK
0.2 dBm + 5.3 dBi = 5.5 dBm



IR-PD-KNX
Art.No: 92123

Battery: 3.0 V Lithium CR2032
(inclusive)
Dimensions: 80 x 60 x 8 mm
Material color: -



Wire basket BSK (Ø 200 x 90 mm)
Art.No: 92199

Dimensions: Ø 200 x 90 mm
Impact strength: IK09
Housing: coated steel basket



Cover ring PD2N FC
Art.No: 93773

Dimensions: Ø 82 x 13 mm
Impact strength: IK05
Housing: polycarbonate, UV-resistant



Cover ring PD2N FC
Art.No: 93772

Dimensions: Ø 82 x 13 mm
Impact strength: IK05
Housing: polycarbonate, UV-resistant



Cover ring PD2N FC
Art.No: 93771

Dimensions: Ø 82 x 13 mm
Impact strength: IK05
Housing: polycarbonate, UV-resistant