



## PD2N-DALI-SYS-FM Set 93368-93752-93762-92 199

DALI multisensor

Powered via DALI bus

Seamless integration in B.E.G. LUXOMAT® net  
DALI-SYS

### Order data

Designation	Colour	Art.No
PD2N-DALI-SYS-FM	white	93368
SM socle mounting set IP54 PD2N- / PD4N-FM	traffic white	93752
Cover ring PD2N FM	traffic white	93762
Wire basket BSK (Ø 200 x 90 mm)	white	92199

## Technical data

Voltage:	via DALI Bus, max. 22.5 V DC
Dimensions:	<b>Ø 200 x 90 mm (92199)</b>
Settings:	B.E.G. PC Tools, B.E.G. DALI-SYS router
Typ. power input:	3 mA
Detection area:	horizontal 360° (Ceiling mounting) max. Ø 10 m across max. Ø 6 m towards max. Ø 4 m seated
Range:	
Monitored area (tangential movement):	78 m <sup>2</sup> / 2.5 m mounting height
Mounting height min./max./recommended:	2 m / 5 m / 2.5 m
Degree / class of protection:	<b>IP20 / Class II + IP54 (93752)</b>
Impact strength:	<b>IK09 (92199)</b>
Ambient temperature:	-25 °C to +55 °C
Housing:	<b>polycarbonate, UV-resistant + coated steel basket (92199) traffic white mat, similar to RAL9016 (93762)</b>
Material color:	
Follow-up time:	1 sec - 120 min 5 - 100 % / 1 min - 120 min / ∞
Orientation light:	
Brightness set value:	10 - 2500 Lux

## Product information

Set : PD2N-DALI-SYS-FM + SM socle mounting set  
IP54 PD2N- / PD4N-FM traffic white mat, similar to  
RAL9016 + Cover ring PD2N FM traffic white mat,  
similar to RAL9016 + Wire basket BSK (Ø 200 x 90  
mm) white

DALI multisensor

Powered via DALI bus

Seamless integration in B.E.G. LUXOMAT®net DALI-SYS

Bright LED indication for commissioning

Detection area can be extended thanks to master-slave-mode

Mixed light measurement with internal and external light  
sensor

Semi-automatic, full-automatic or twilight switch mode

Integrated daylight harvesting circuit (or switch output)

Guided Light, Soft-Start PLUS, Orientation light PLUS

Works out-of-the box for easy installation check

Full range of functions can only be activated with other  
products of the product group B.E.G. LUXOMAT®net DALI-SYS

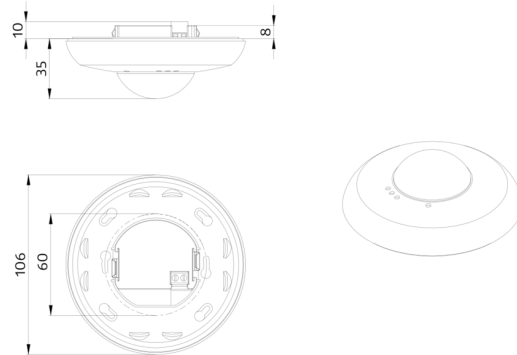
This article is a component of a lighting control system from  
B.E.G., which supports the use of DALI control gear  
(luminaires, relays) from other manufacturers

The use of DALI application controllers from other  
manufacturers is not supported

The use of DALI input devices (sensors, push-buttons) from  
other manufacturers is not supported

Additional system components (hardware) from B.E.G. are  
required

Additional services (planning, commissioning and  
maintenance) from B.E.G. are required



## Set items

To receive the bundle according to the technical specification, please order the items listed.



### PD2N-DALI-SYS-FM

Art.No: 93368

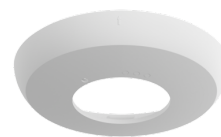
Voltage: via DALI Bus, max. 22.5 V DC  
Dimensions: Ø 106 x 42 mm  
Settings: B.E.G. PC Tools, B.E.G. DALI-SYS router



### SM socle mounting set IP54 PD2N- / PD4N-FM

Art.No: 93752

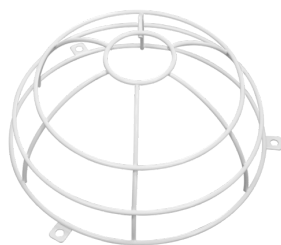
Dimensions: Ø 109 x 19 mm  
Degree / class of protection: IP54  
Housing: polycarbonate, UV-resistant



### Cover ring PD2N FM

Art.No: 93762

Dimensions: Ø 106 x 20 mm  
Impact strength: IK05  
Housing: polycarbonate, UV-resistant



### Wire basket BSK (Ø 200 x 90 mm)

Art.No: 92199

Dimensions: Ø 200 x 90 mm  
Impact strength: IK09  
Housing: coated steel basket