

**B.E.G.****LUXOMAT® net**

## PD2N-CAS DALI-2 Set 93476-93782

CASAMBI-compatible PIR motion sensor with built-in DALI-2 bus power supply, 360° detection, and a range of up to Ø10m (78 m<sup>2</sup>)

### Order data

Designation	Colour	Art.No
PD2N-CAS DALI-2	white	93476
SM socle mounting set IP54 PD2N H	traffic white	93782

## Technical data

Voltage:	230 V AC $\pm$ 10% 50 Hz
Dimensions:	<b>Ø 84 x 85 mm + Ø 110 x 65 mm (93782)</b>
Settings:	Casambi App
Power consumption:	0.5 W
Detection area:	horizontal 360° (Ceiling mounting) max. Ø 10 m across max. Ø 6 m towards max. Ø 4 m seated
Range:	
Monitored area (tangential movement):	78 m <sup>2</sup> / 2.5 m mounting height
Mounting height min./max./recommended:	2 m / 5 m / 2.5 m
Degree / class of protection:	<b>IP54 (93782)</b>
Impact strength:	IK04
Ambient temperature:	-5 °C to +45 °C
Housing:	polycarbonate, UV-resistant
Material color:	<b>traffic white, similar to RAL9016 (93782)</b>
Number of PIR sensors:	1
<b>Channel 1 (lighting control)</b>	
DALI output:	80 mA (guaranteed), 125 mA (max.), shut down mechanism
Supported control gear:	DT0, DT5, DT6, DT7, DT8
Supported control devices:	- (single master)
Follow-up time:	1 sec - 60 min
Brightness set value:	1 - 4000 Lux
Light measuring:	Mixed light measuring

## Product information

Set : PD2N-CAS DALI-2 + SM socle mounting set IP54  
PD2N H traffic white, similar to RAL9016

Casambi-enabled occupancy detector

DALI-2 interface for controlling digital dimmable ECGs in  
broadcast/multicast mode

Integrated temperature monitoring and short-circuit detection

Version as single-master device, can be networked wirelessly

Mixed light measurement with internal and external light  
sensor

Weighting between internal and external light sensor can be  
adapted to suit the application

Adjustment of the reflection factor and input of the luminosity  
for the display of the actual luminosity in the app

Extension of the detection area with additional B.E.G. Casambi  
devices possible

Individual adaption of the PIR sensor sensitivity

Detection area can be restricted with blinds

Functions adjustable via Casambi app

Including pre-assembled spring clamp with strain relief and  
contact protection cap for recessed ceiling mounting

Accessory for surface mounting available

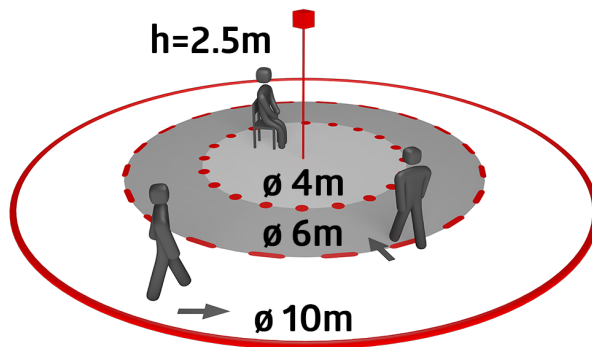
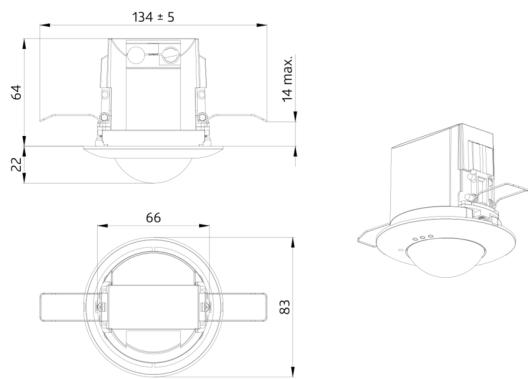
Accessories for wall mounting optionally available

Further accessories for colour matching optionally available

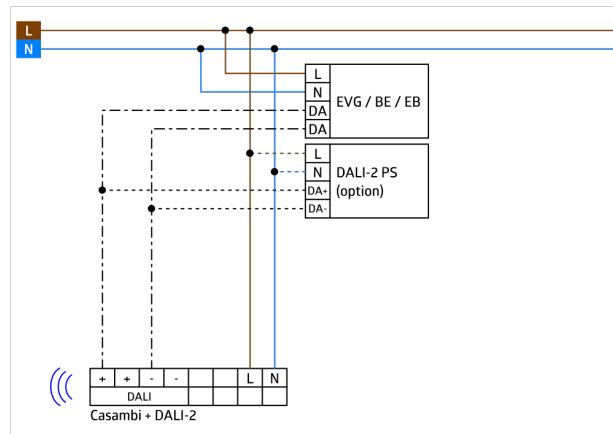
DALI-2 certified product

DALI output power can be increased with accessories

Bright LED indication for commissioning



# CASAMBI



## Set items

To receive the bundle according to the technical specification, please order the items listed.



### **PD2N-CAS DALI-2**

Art.No: 93476

Voltage: 230 V AC  $\pm 10\%$  50 Hz

Dimensions:  $\varnothing$  84 x 85 mm

Settings: Casambi App



### **SM socle mounting set IP54 PD2N H**

Art.No: 93782

Dimensions:  $\varnothing$  110 x 65 mm

Degree / class of protection: IP54

Material color: traffic white, similar to RAL9016