



PD2N-CAS DALI-2 Set 93476-93760

CASAMBI-compatible PIR motion sensor with built-in DALI-2 bus power supply, 360° detection, and a range of up to Ø10m (78 m²)

Order data

Designation	Colour	Art.No
PD2N-CAS DALI-2	white	93476
Cover ring PD2N FM	white	93760

Technical data

Voltage:	230 V AC ±10% 50 Hz
Dimensions:	Ø 84 x 85 mm
Settings:	Casambi App
Power consumption:	0.5 W
Detection area:	horizontal 360° (Ceiling mounting) max. Ø 10 m across max. Ø 6 m towards max. Ø 4 m seated
Range:	
Monitored area (tangential movement):	78 m ² / 2.5 m mounting height
Mounting height min./max./recommended:	2 m / 5 m / 2.5 m
Degree / class of protection:	IP20 / Class II
Impact strength:	IK04
Ambient temperature:	-5 °C to +45 °C
Housing:	polycarbonate, UV-resistant
Material color:	white mat, similar to RAL9010 (93760)
Number of PIR sensors:	1
Channel 1 (lighting control)	
DALI output:	80 mA (guaranteed), 125 mA (max.), shut down mechanism
Supported control gear:	DT0, DT5, DT6, DT7, DT8
Supported control devices:	- (single master)
Follow-up time:	1 sec - 60 min
Brightness set value:	1 - 4000 Lux
Light measuring:	Mixed light measuring

Product information

Set : PD2N-CAS DALI-2 + Cover ring PD2N FM white
mat, similar to RAL9010

Casambi-enabled occupancy detector

DALI-2 interface for controlling digital dimmable ECGs in
broadcast/multicast mode

Integrated temperature monitoring and short-circuit detection

Version as single-master device, can be networked wirelessly

Mixed light measurement with internal and external light
sensor

Weighting between internal and external light sensor can be
adapted to suit the application

Adjustment of the reflection factor and input of the luminosity
for the display of the actual luminosity in the app

Extension of the detection area with additional B.E.G. Casambi
devices possible

Individual adaption of the PIR sensor sensitivity

Detection area can be restricted with blinds

Functions adjustable via Casambi app

Including pre-assembled spring clamp with strain relief and
contact protection cap for recessed ceiling mounting

Accessory for surface mounting available

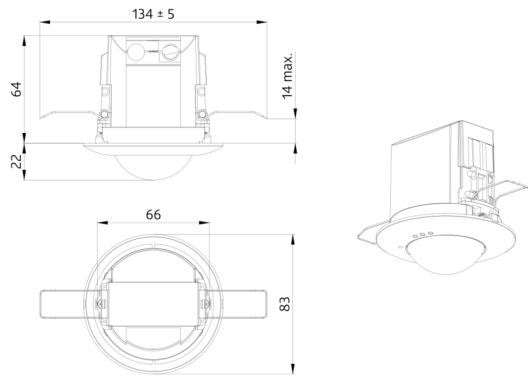
Accessories for wall mounting optionally available

Further accessories for colour matching optionally available

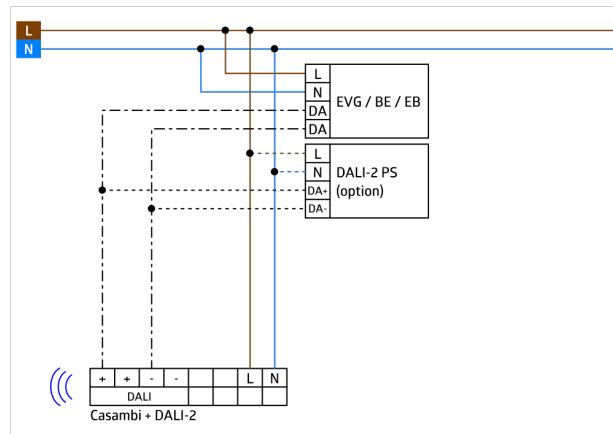
DALI-2 certified product

DALI output power can be increased with accessories

Bright LED indication for commissioning



CASAMBI



Set items

To receive the bundle according to the technical specification, please order the items listed.



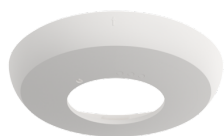
PD2N-CAS DALI-2

Art.No: 93476

Voltage: 230 V AC $\pm 10\%$ 50 Hz

Dimensions: \varnothing 84 x 85 mm

Settings: Casambi App



Cover ring PD2N FM

Art.No: 93760

Dimensions: \varnothing 106 x 20 mm

Impact strength: IK05

Housing: polycarbonate, UV-resistant