

B.E.G.**LUXOMAT®**

PD2-S-SM

Prod.No. 92152 EAN: 4007529921522

Slave PIR motion detector with 360° coverage and a range of up to Ø10m (78 m²)

Order data

Designation	Colour	Art.No
PD2-S-SM	white	92152

Accessories

Designation	Colour	Art.No
BLE-IR-Adapter	black	93067
Wire basket BSK (Ø 200 x 90 mm)	white	92199
SM socket IP54 for PD2- / PD4-SM	white	92161
Wall holder PD4-SM	white	92441
Blinds PD2-SM		92260
Pendulum mounting set PD2/3/4 SM	white	93179

Technical data

Voltage:	110 - 240 V AC 50 / 60 Hz
Dimensions:	Ø 98 x 50 mm
Power consumption:	approx. 0.2 W
Detection area:	horizontal 360° (Ceiling mounting) max. Ø 10 m across max. Ø 6 m towards max. Ø 4 m seated
Range:	
Monitored area (tangential movement):	78 m ² / 2.5 m mounting height
Mounting height min./max./recommended:	2 m / 5 m / 2.5 m
Degree / class of protection:	IP20 / Class II
Impact strength:	IK05
Ambient temperature:	-25 °C to +50 °C
Housing:	polycarbonate, UV-resistant
Material color:	white mat, similar to RAL9010
Pulse interval:	2 or 9 sec

Product information

Slave device detector with circular detection area

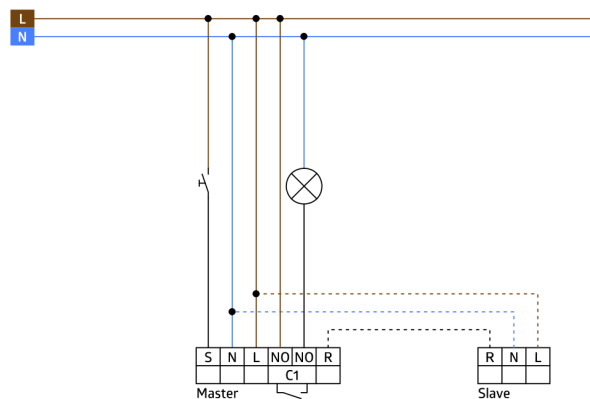
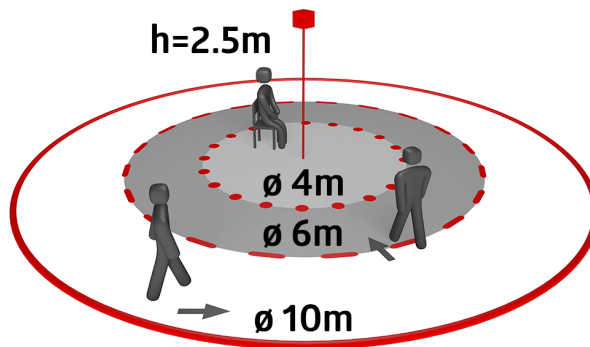
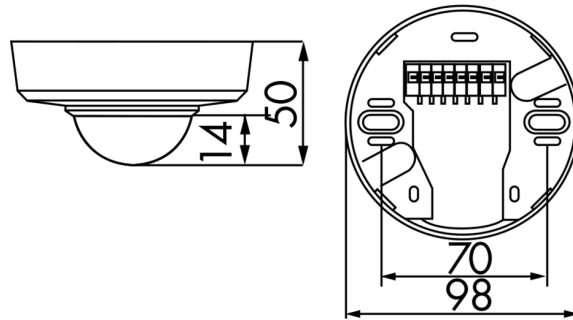
For extending the detection area of a Master device

Trigger pulse to master device upon detected movement
independent of the ambient light level

Compatible with 230 V devices. Concerning exceptions please
see the respective master device.

Application examples:

small offices, staircases, open-plan offices, conference rooms,
classrooms/seminar rooms



Accessories



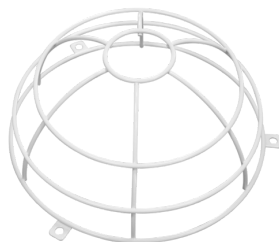
BLE-IR-Adapter

Art.No: 93067

Dimensions: 40 x 55 x 103 mm

Material color: black

Frequency: 2.4 GHz ISM band, GFSK
0.2 dBm + 5.3 dBi = 5.5 dBm



Wire basket BSK (Ø 200 x 90 mm)

Art.No: 92199

Dimensions: Ø 200 x 90 mm

Impact strength: IK09

Housing: coated steel basket



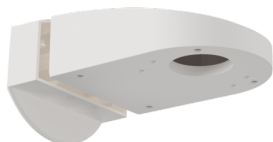
SM socket IP54 for PD2- / PD4-SM

Art.No: 92161

Dimensions: Ø 100 x 15 mm

Degree / class of protection: IP54

Housing: polycarbonate, UV-resistant



Wall holder PD4-SM

Art.No: 92441

Dimensions: 130 x 100 x 53 mm

Housing: polycarbonate, UV-resistant

Material color: white



Blinds PD2-SM

Art.No: 92260

Housing: Housing UV- and shockresistant Polycarbonate

Material color: transparent



Pendulum mounting set PD2/3/4 SM

Art.No: 93179

Dimensions: 1 : Ø 113 x 79 mm, 2 :

Ø 113 x 34 mm

Housing: polycarbonate, UV-resistant

Material color: white, similar to

RAL9010