

**B.E.G.****LUXOMAT®**

## PD2-M-DALI/DSI-1C-SM

Prod.No. 93033 EAN: 4007529930333

Occupancy detector for daylight-dependent lighting control

DALI / DSI interface for control of digital dimmable electronic ballasts as a group

Switching between DALI and DSI programming possible with DIP switch and remote control

### Order data

Designation	Colour	Art.No
PD2-M-DALI/DSI-1C-SM		93033

### Accessories

Designation	Colour	Art.No
Cover ring PD2-M -SM		92243
Cover ring PD2-M -FC		92281
Cover ring PD2-M -FC		92240
Wall holder PD4-SM	white	92441
BLE-IR-Adapter	black	93067
IR-PD-DALI-1C	-	92116
IR-PD-DALI-Mini	-	92112
Wire basket BSK (Ø 200 x 90 mm)	white	92199
RC-Arc extinction kit	white	10880
Mini-RC-Arc extinction kit		10882

## Technical data

Voltage:	110 – 240 V AC 50 / 60 Hz
Dimensions:	Ø 102 x 58 mm
Power consumption:	approx. 1 W
Detection area:	horizontal 360° (Ceiling mounting) max. Ø 10 m across max. Ø 6 m towards max. Ø 4 m seated
Range:	
Monitored area (tangential movement):	78 m <sup>2</sup> / 2.5 m mounting height
Mounting height min./max./recommended:	2 m / 5 m / 2.5 m
Degree / class of protection:	IP54 / Class II
Ambient temperature:	-25 °C to +50 °C
Housing:	polycarbonate, UV-resistant  white mat, similar to RAL9010
Material color:	

### Channel 1 (lighting control)

DALI output:	up to 50 DALI / DSI-EB
Follow-up time:	1 min – 30 min 20 % / OFF / 5 min – 60 min / ∞
Orientation light:	
Brightness set value:	10 – 2000 Lux

### Channel 2 (HVAC or lighting control)

Switching power:	2300 W, cos φ = 1 1150 VA, cos φ = 0.5 300 W LED max. inrush current I <sub>p</sub> (20 ms) = 165 A
Type of contact:	1x μ-contact, NO contact with tungsten pre- make contact
Follow-up time:	5 min – 120 min, Alarm pulse, Pulse
Light measuring:	Mixed light measuring

## Product information

Occupancy detector for daylight-dependent lighting control  
  
DALI / DSI interface for control of digital dimmable electronic ballasts as a group

Additional switching channel for one of the following two functions:  
Cut-Off (complete ECG switch-off to avoid standby losses) or HVAC (for the energy-efficient control of heating, air-conditioning or ventilation systems or for displaying occupancy)

Switching between DALI and DSI programming possible with DIP switch and remote control

Orientation light function

Relay with tungsten pre-make contact, optimised for LED loads

Version as master device

Detection area can be extended by using slave devices

Manual switching and dimming via push button possible

Additional functions can be set up using the optional remote control.

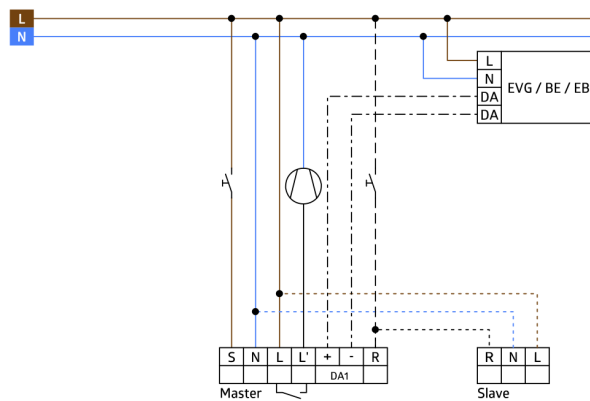
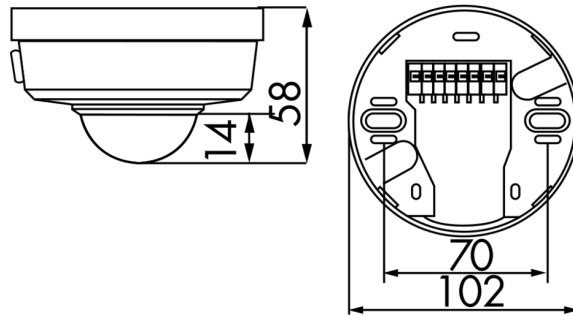
Avoidance of standby losses of the lighting system in accordance with EnEV DIN V 18599-4

Semi-automatic, full-automatic or twilight switch mode

Factory settings 10 min and 500 lux

### Typical applications:

Offices, conference rooms, schools, nursery schools, hospitals



## Accessories



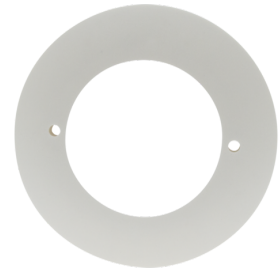
**Cover ring PD2-M -SM**  
Art.No: 92243

Dimensions: Ø 70 mm  
Housing: polycarbonate, UV-resistant  
Material color: white



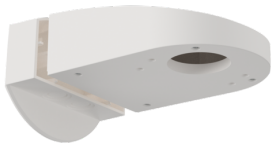
**Cover ring PD2-M -FC**  
Art.No: 92281

Dimensions: Ø 70 mm  
Housing: polycarbonate, UV-resistant  
Material color: silvery



**Cover ring PD2-M -FC**  
Art.No: 92240

Dimensions: Ø 70 mm  
Housing: polycarbonate, UV-resistant  
Material color: white



**Wall holder PD4-SM**  
Art.No: 92441

Dimensions: 130 x 100 x 53 mm  
Housing: polycarbonate, UV-resistant  
Material color: white



**BLE-IR-Adapter**  
Art.No: 93067

Dimensions: 40 x 55 x 103 mm  
Material color: black  
Frequency: 2.4 GHz ISM band, GFSK  
0.2 dBm + 5.3 dBi = 5.5 dBm



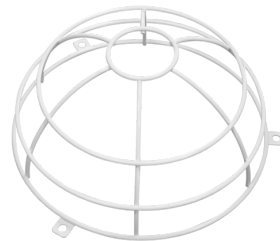
**IR-PD-DALI-1C**  
Art.No: 92116

Battery: 3.0 V Lithium CR2032 (inclusive)  
Dimensions: 80 x 60 x 8 mm  
Material color: -



**IR-PD-DALI-Mini**  
Art.No: 92112

Battery: 3.0 V Lithium CR2032 (inclusive)  
Dimensions: 57 x 35 x 7 mm  
Material color: -



**Wire basket BSK (Ø 200 x 90 mm)**  
Art.No: 92199

Dimensions: Ø 200 x 90 mm  
Impact strength: IK09  
Housing: coated steel basket



**RC-Arc extinction kit**  
Art.No: 10880

Voltage: 230 V AC ±10%  
Dimensions: 38 x 12 x 26 mm  
Degree / class of protection: IP20 / Class II



**Mini-RC-Arc extinction kit**

Art.No: 10882

Voltage: 230 V AC  $\pm 10\%$

Dimensions: 50 x 23 x 8 mm

Degree / class of protection: IP20 / Class

II