

**B.E.G.**

**LUXOMAT®**



## PD2-M-2C-SM Set 92150-92161

Occupancy detector with circular detection area

One channel for light switching

One additional potential-free (dry) contact for HVAC

### Order data

Designation	Colour	Art.No
PD2-M-2C-SM	white	92150
SM socket IP54 for PD2- / PD4-SM	white	92161

### Areas of application

- corridors/hallways
- staircases
- toilets
- equipment rooms
- small offices
- open-plan offices
- conference rooms

## Technical data

Voltage:	110 - 240 V AC 50 / 60 Hz
Dimensions:	Ø 98 x 47 mm
Power consumption:	approx. 0.5 W
Detection area:	horizontal 360° (Ceiling mounting) max. Ø 10 m across max. Ø 6 m towards max. Ø 4 m seated
Range:	
Monitored area (tangential movement):	78 m <sup>2</sup> / 2.5 m mounting height
Mounting height min./max./recommended:	2 m / 5 m / 2.5 m
Degree / class of protection:	IP20 / Class II
Impact strength:	IK05
Ambient temperature:	-25 °C to +50 °C
Housing:	polycarbonate, UV-resistant
Material color:	white mat, similar to RAL9010

### Channel 1 (lighting control)

Switching power:	2300 W, $\cos \varphi$ = 1 1150 VA, $\cos \varphi$ = 0.5 800 W LED max. inrush current $I_p$ (20 ms) = 165 A max. inrush current $I_p$ (200 $\mu$ s) = 800 A
Type of contact (k):	1x $\mu$ -contact, NO contact with tungsten pre- make contact
Follow-up time:	15 sec - 30 min, Pulse
Switch-on threshold:	10 - 2000 Lux

### Channel 2 (HVAC control potential-free (dry))

Switching power:	3 A (230 V), $\cos$ $\varphi = 1$
Type of contact:	1x $\mu$ -contact, dry NO contact
Follow-up time:	5 min - 120 min, Alarm pulse, Pulse
Light measuring:	Mixed light measuring

## Product information

Set : PD2-M-2C-SM + SM socket IP54 for PD2- / PD4-  
SM white, similar to RAL9010

Occupancy detector with circular detection area

One channel for light switching

One additional potential-free (dry) contact for HVAC

Version as master device

Detection area can be extended by using slave devices

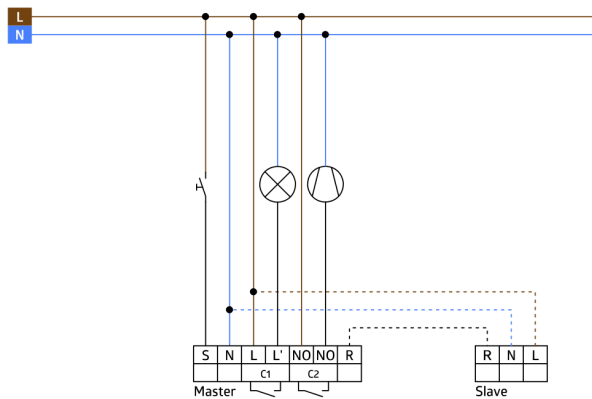
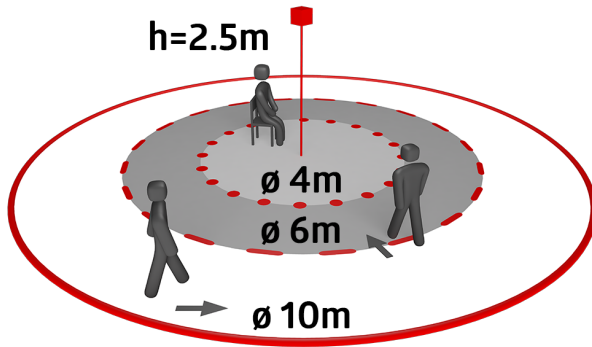
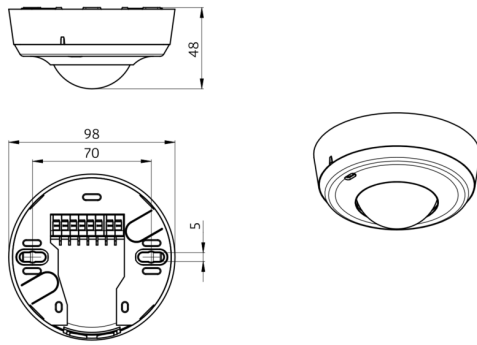
Manual switching via push-button possible

Alarm pulse: the detector triggers only when three  
movements are detected within 9 seconds

Additional functions can be set up using the optional remote  
control.

Factory settings 10 min and 500 lux (15 min HVAC)

Zero crossing switching



## Set items

To receive the bundle according to the technical specification, please order the items listed.



### **PD2-M-2C-SM**

Art.No: 92150

Voltage: 110 – 240 V AC 50 / 60 Hz

Dimensions: Ø 98 x 47 mm

Power consumption: approx. 0.5 W



### **SM socket IP54 for PD2- / PD4-SM**

Art.No: 92161

Dimensions: Ø 100 x 15 mm

Degree / class of protection: IP54

Housing: polycarbonate, UV-resistant