

B.E.G.**LUXOMAT®**

PD2-M-2C-12-48V-RR-FC Set 92306-93085

Occupancy detector with operating voltage of 12-48 V

Two potential-free (dry) channels

Can be used as either Master device or Slave device

Areas of application

- corridors/hallways
- toilets
- equipment rooms
- small offices
- open-plan offices
- conference rooms

Order data

Designation	Colour	Art.No
PD2-M-2C-12-48V-RR-FC	white	92306
Cover ring PD2/PD3 FC		93085

Technical data

Voltage:	12 - 48 V AC / DC
Dimensions:	Ø 80 x 85 mm
Power consumption:	< 1 W
Detection area:	horizontal 360° (Ceiling mounting) max. Ø 10 m across max. Ø 6 m towards max. Ø 4 m seated
Range:	
Monitored area (tangential movement):	78 m ² / 2.5 m mounting height
Mounting height min./max./recommended:	2 m / 5 m / 2.5 m
Degree / class of protection:	IP20 / Class II
Impact strength:	IK05
Ambient temperature:	-25 °C to +50 °C
Housing:	polycarbonate, UV-resistant
Material color:	jet black glossy, similar to RAL9005 (93085)

Channel 1 (lighting control, potential-free (dry))

Switching power:	0.1 A; cos ϕ = 1 with Reed relay
Type of contact (k):	1x μ -contact, dry NO contact
Follow-up time:	15 sec - 30 min, Pulse
Brightness set value:	10 - 2000 Lux

Channel 2 (HVAC control potential-free (dry))

Switching power:	0.1 A; cos ϕ = 1 with Reed relay
Type of contact:	1x μ -contact, dry NO contact
Follow-up time:	5 min - 120 min, Alarm pulse, Pulse
Light measuring:	Mixed light measuring

Product information

Set : PD2-M-2C-12-48V-RR-FC + Cover ring PD2/PD3 FC jet black glossy, similar to RAL9005

Occupancy detector with operating voltage of 12-48 V

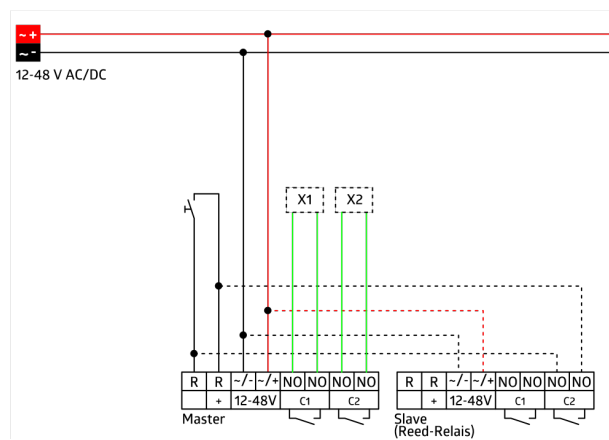
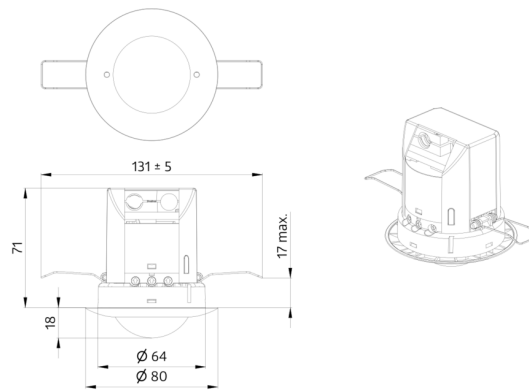
Two potential-free (dry) channels

Can be used as either Master device or Slave device

Manual switching via push-button possible

Additional functions can be set up using the optional remote control.

Factory settings 10 min and 500 lux (15 min HVAC)



Set items

To receive the bundle according to the technical specification, please order the items listed.



PD2-M-2C-12-48V-RR-FC
Art.No: 92306

Voltage: 12 – 48 V AC / DC
Dimensions: Ø 80 x 85 mm
Power consumption: < 1 W



Cover ring PD2/PD3 FC
Art.No: 93085

Dimensions: Ø 84 x 9 mm
Housing: polycarbonate, UV-resistant
Material color: jet black glossy, similar to RAL9005