

B.E.G.

LUXOMAT®



PD2-M-1C-SM Set 92550-92161

Occupancy detector with one potential-free dry contact

Version as master device

One channel for light switching

Order data

Designation	Colour	Art.No
PD2-M-1C-SM	white	92550
SM socket IP54 for PD2- / PD4-SM	white	92161

Technical data

Voltage:	110 - 240 V AC 50 / 60 Hz
Dimensions:	Ø 98 x 47 mm
Power consumption:	approx. 0.4 W
Detection area:	horizontal 360° (Ceiling mounting) max. Ø 10 m across max. Ø 6 m towards max. Ø 4 m seated
Range:	78 m ² / 2.5 m mounting height
Monitored area (tangential movement):	2 m / 5 m / 2.5 m
Mounting height min./max./recommended:	IP20 / Class II
Degree / class of protection:	IK05
Impact strength:	-25 °C to +50 °C
Ambient temperature:	polycarbonate, UV-resistant
Housing:	white mat, similar to RAL9010
Material color:	

Channel 1 (lighting control, potential-free (dry))

Switching power:	2300 W, $\cos \varphi$ = 1 1150 VA, $\cos \varphi$ = 0.5 800 W LED max. inrush current I_p (20 ms) = 165 A max. inrush current I_p (200 μ s) = 800 A
Type of contact (k):	1x μ -contact, dry NO contact with tungsten pre-make contact
Follow-up time:	15 sec - 30 min, Pulse
Switch-on threshold:	10 - 2000 Lux
Light measuring:	Mixed light measuring

Product information

Set : PD2-M-1C-SM + SM socket IP54 for PD2- / PD4-
SM white, similar to RAL9010

Occupancy detector with one potential-free dry contact

Version as master device

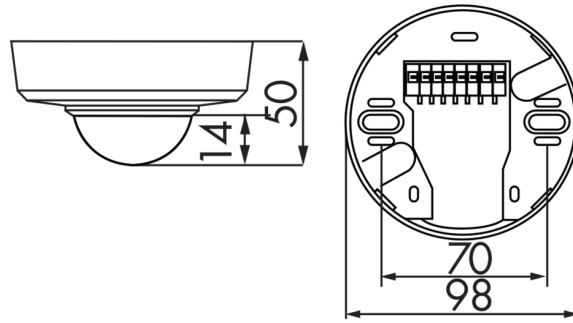
One channel for light switching

Detection area can be extended by using slave devices

Manual switching via push-button possible

Additional functions can be set up using the optional remote
control.

Factory settings 10 min and 500 lux



Set items

To receive the bundle according to the technical specification, please order the items listed.



PD2-M-1C-SM

Art.No: 92550

Voltage: 110 – 240 V AC 50 / 60 Hz

Dimensions: Ø 98 x 47 mm

Power consumption: approx. 0.4 W



SM socket IP54 for PD2- / PD4-SM

Art.No: 92161

Dimensions: Ø 100 x 15 mm

Degree / class of protection: IP54

Housing: polycarbonate, UV-resistant