

**B.E.G.****LUXOMAT®**

## PD2-M-1C-FC Set 92565-93085

Occupancy detector with one potential-free dry contact

Version as master device

One channel for light switching

### Order data

**Designation**

PD2-M-1C-FC

Cover ring PD2/PD3 FC

**Colour**

white

**Art.No**

92565

93085

### Areas of application

- equipment rooms
- small offices
- entrance halls
- corridors/hallways
- staircases
- toilets
- open-plan offices
- conference rooms

## Technical data

Voltage:	110 - 240 V AC 50 / 60 Hz
Dimensions:	Ø 80 x 85 mm
Power consumption:	approx. 0.4 W
Detection area:	horizontal 360° (Ceiling mounting) max. Ø 10 m across max. Ø 6 m towards max. Ø 4 m seated
Range:	
Monitored area (tangential movement):	78 m <sup>2</sup> / 2.5 m mounting height
Mounting height min./max./recommended:	2 m / 5 m / 2.5 m
Degree / class of protection:	IP20 / Class II
Impact strength:	IK05
Ambient temperature:	-25 °C to +50 °C
Housing:	polycarbonate, UV-resistant
Material color:	<b>jet black glossy, similar to RAL9005 (93085)</b>

### Channel 1 (lighting control, potential-free (dry))

Switching power:	2300 W, $\cos \varphi$ = 1 1150 VA, $\cos \varphi$ = 0.5 800 W LED max. inrush current $I_p$ (20 ms) = 165 A max. inrush current $I_p$ (200 $\mu$ s) = 800 A
Type of contact (k):	1x $\mu$ -contact, dry NO contact with tungsten pre-make contact
Follow-up time:	15 sec - 30 min, Pulse
Switch-on threshold:	10 - 2000 Lux
Light measuring:	Mixed light measuring

## Product information

Set : PD2-M-1C-FC + Cover ring PD2/PD3 FC jet black glossy, similar to RAL9005

Occupancy detector with one potential-free dry contact

Version as master device

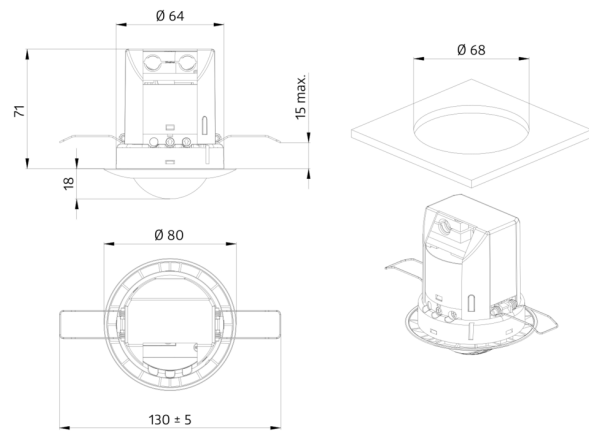
One channel for light switching

Detection area can be extended by using slave devices

Manual switching via push-button possible

Additional functions can be set up using the optional remote control.

Factory settings 10 min and 500 lux



## Set items

To receive the bundle according to the technical specification, please order the items listed.



### PD2-M-1C-FC

Art.No: 92565

Voltage: 110 – 240 V AC 50 / 60 Hz

Dimensions: Ø 80 x 85 mm

Power consumption: approx. 0.4 W



### Cover ring PD2/PD3 FC

Art.No: 93085

Dimensions: Ø 84 x 9 mm

Housing: polycarbonate, UV-resistant

Material color: jet black glossy, similar to RAL9005