

B.E.G.**LUXOMAT®**

PD2-M-1C-FC Set

92565-92199-93085

Occupancy detector with one potential-free dry contact

Version as master device

One channel for light switching

Order data

Designation

PD2-M-1C-FC

Wire basket BSK (Ø 200 x 90 mm)

Cover ring PD2/PD3 FC

Colour

white

white

Art.No

92565

92199

93085

Areas of application

- equipment rooms
- small offices
- entrance halls
- corridors/hallways
- staircases
- toilets
- open-plan offices
- conference rooms

Technical data

Voltage:	110 - 240 V AC 50 / 60 Hz
Dimensions:	Ø 200 x 90 mm (92199)
Power consumption:	approx. 0.4 W horizontal 360°
Detection area:	(Ceiling mounting) max. Ø 10 m across max. Ø 6 m towards max. Ø 4 m seated
Range:	
Monitored area (tangential movement):	78 m ² / 2.5 m mounting height
Mounting height min./max./recommended:	2 m / 5 m / 2.5 m
Degree / class of protection:	IP20 / Class II
Impact strength:	IK09 (92199)
Ambient temperature:	-25 °C to +50 °C
Housing:	polycarbonate, UV-resistant + coated steel basket (92199) jet black glossy, similar to RAL9005 (93085)
Material color:	

Channel 1 (lighting control, potential-free (dry))

Switching power:	2300 W, $\cos \varphi = 1$ 1150 VA, $\cos \varphi = 0.5$ 800 W LED max. inrush current I_p (20 ms) = 165 A max. inrush current I_p (200 μ s) = 800 A
Type of contact (k):	1x μ -contact, dry NO contact with tungsten pre- make contact
Follow-up time:	15 sec - 30 min, Pulse
Switch-on threshold:	10 - 2000 Lux
Light measuring:	Mixed light measuring

Product information

Set : PD2-M-1C-FC + Wire basket BSK (Ø 200 x 90 mm) white + Cover ring PD2/PD3 FC jet black glossy, similar to RAL9005

Occupancy detector with one potential-free dry contact

Version as master device

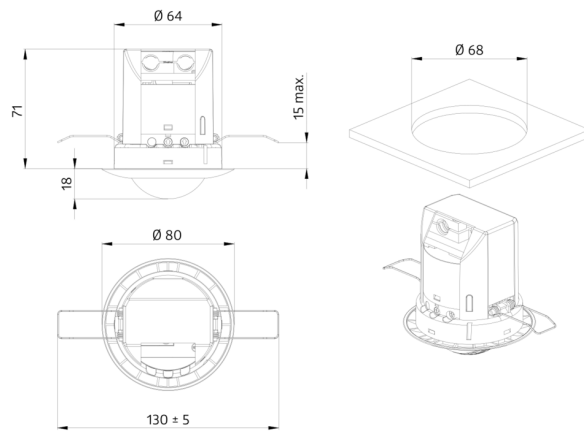
One channel for light switching

Detection area can be extended by using slave devices

Manual switching via push-button possible

Additional functions can be set up using the optional remote control.

Factory settings 10 min and 500 lux



Set items

To receive the bundle according to the technical specification, please order the items listed.



PD2-M-1C-FC

Art.No: 92565

Voltage: 110 – 240 V AC 50 / 60 Hz

Dimensions: Ø 80 x 85 mm

Power consumption: approx. 0.4 W



Wire basket BSK (Ø 200 x 90 mm)

Art.No: 92199

Dimensions: Ø 200 x 90 mm

Impact strength: IK09

Housing: coated steel basket



Cover ring PD2/PD3 FC

Art.No: 93085

Dimensions: Ø 84 x 9 mm

Housing: polycarbonate, UV-resistant

Material color: jet black glossy, similar to RAL9005