

B.E.G.**LUXOMAT[®]net**

PD2-KNX-SM

Prod.No. 92880 EAN: 4007529928804

KNX occupancy detector with integrated KNX bus connector

Detectors with firmware version 4 are not compatible with the new software.

The software is available for free download on the B.E.G. homepage. All detectors use the same software.

Order data

Designation	Colour	Art.No
PD2-KNX-SM		92880

Accessories

Designation	Colour	Art.No
BLE-IR-Adapter	black	93067
IR-Adapter for Smartphones	black	92726
IR-PD-KNX	-	92123
Wire basket BSK (Ø 200 x 90 mm)	white	92199
SM socket IP54 for PD2- / PD4-SM	white	92161

Technical data

Voltage:	via KNX BUS
Dimensions:	Ø 98 x 47 mm
Typ. power input:	7 mA
Detection area:	horizontal 360° (Ceiling mounting) max. Ø 10 m across
Range:	max. Ø 6 m towards max. Ø 4 m seated
Monitored area (tangential movement):	78 m ² / 2.5 m mounting height
Mounting height min./max./recommended:	2 m / 5 m / 2.5 m
Degree / class of protection:	IP20 / Class II
Ambient temperature:	-25 °C to +55 °C
Housing:	polycarbonate, UV-resistant white mat,
Material color:	similar to RAL9010
Brightness set value:	5 - 1200 Lux
Light measuring:	Mixed light measuring

Product information

KNX occupancy detector with integrated KNX bus connector

When using the product database

B.E.G._Praesenzmelder_928xx_V5.0, the following operation modes are available: 1. Full automatic mode 2. Semi-automatic mode 3. Slave mode 4. Occupancy-independent regulating mode

Detectors with firmware version 4 are not compatible with the new software.

The software is available for free download on the B.E.G. homepage. All detectors use the same software.

Up to three additional switching channels - selectively either daylight-dependent or not

Set values and follow-up times can be changed for all channels using communication objects

Burn-in function with adjustable burn-in time from 1 to 100 hours

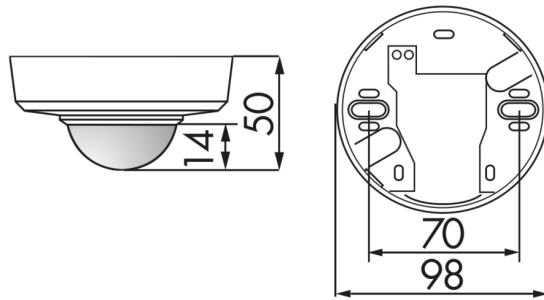
With activatable motion LED, deactivatable via ETS parameter, communication object or remote control

Settings via ETS 3 and 4

The product database for import into the ETS database can be downloaded from the B.E.G. homepage.

Typical applications:

Offices, conference rooms, schools, nursery schools, hospitals

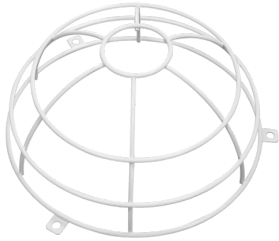


Accessories



BLE-IR-Adapter
Art.No: 93067

Dimensions: 40 x 55 x 103 mm
Material color: black
Frequency: 2.4 GHz ISM band, GFSK 0.2 dBm + 5.3 dBi = 5.5 dBm



Wire basket BSK (Ø 200 x 90 mm)
Art.No: 92199

Dimensions: Ø 200 x 90 mm
Impact strength: IK09
Housing: coated steel basket



IR-Adapter for Smartphones
Art.No: 92726

Dimensions: 47 x 19 x 10 mm
Degree / class of protection: IP20
Ambient temperature: -20 °C to +40 °C



IR-PD-KNX
Art.No: 92123

Battery: 3.0 V Lithium CR2032 (inclusive)
Dimensions: 80 x 60 x 8 mm
Material color: -



SM socket IP54 for PD2- / PD4-SM
Art.No: 92161

Dimensions: Ø 100 x 15 mm
Degree / class of protection: IP54
Housing: polycarbonate, UV-resistant