

B.E.G.**LUXOMAT®**

PD11-S-FLAT-FC

Prod.No. 92593 EAN: 4007529925933

- Voltage: 110 - 240 V AC 50 / 60 Hz
- Dimensions: Ø 52 x 60 mm
- Power consumption: approx. 0.2 W

Order data

Designation	Colour	Art.No
PD11-S-FLAT-FC	white	92593

Accessories

Designation	Colour	Art.No
In-wall mounting set / PD11	white	92833
Cover ring PD11 (52 mm)	black	92537
Cover ring PD11	white	92692
Square design frame PD11-FC	white	92994

Technical data

Voltage:	110 - 240 V AC 50 / 60 Hz
Dimensions:	Ø 52 x 60 mm
Power consumption:	approx. 0.2 W
Detection area:	horizontal 360° (Ceiling mounting) max. Ø 9 m across max. Ø 6 m towards max. Ø 3 m seated
Range:	
Monitored area (tangential movement):	63 m ² / 2.5 m mounting height
Mounting height min./max./recommended:	2 m / 5 m / 2.5 m
Degree / class of protection:	IP20 / Class II
Impact strength:	IK02
Ambient temperature:	-25 °C to +50 °C
Housing:	polycarbonate, UV-resistant
Material color:	white mat, similar to RAL9010
Pulse interval:	9 sec

Product information

Super flat slave device for connection to a master device

For extending the detection area of a Master device

Trigger pulse to master device upon detected movement independent of the ambient light level

Compatible with 230 V devices. Concerning exceptions please see the respective master device.

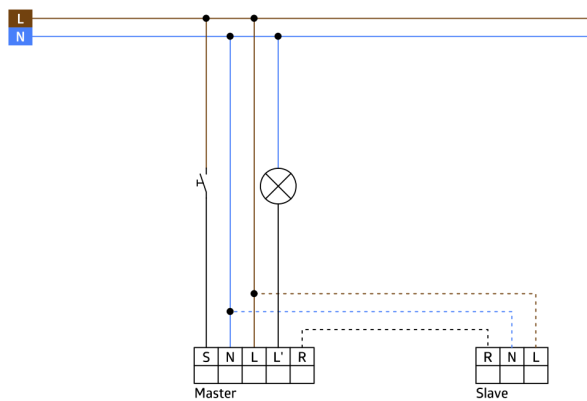
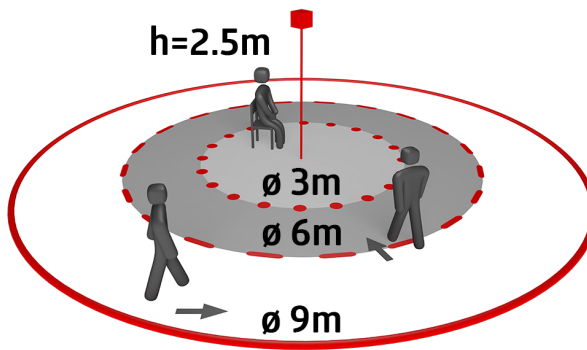
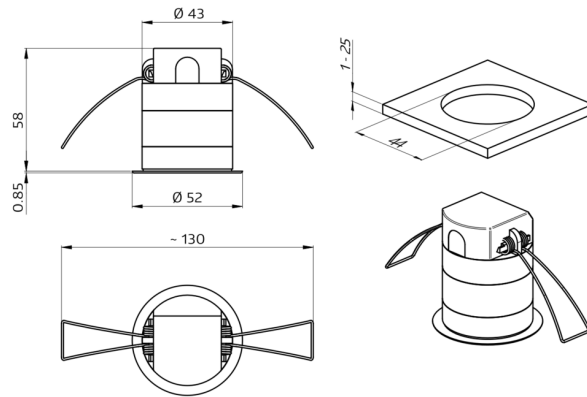
Spring clips for quick and easy installation in suspended ceilings

Includes blinds and clamp ring for installation into light fittings

With accessories for flush-mounting in ceiling and exposed concrete

Application examples:

small offices, underground car parks, entrance halls, corridors/hallways, staircases, open-plan offices, conference rooms



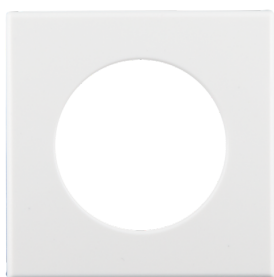
Accessories



In-wall mounting set / PD11

Art.No: 92833

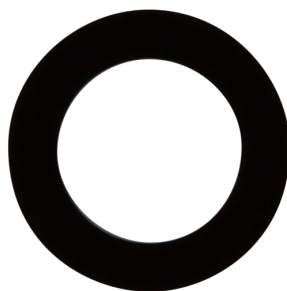
Dimensions: Ø 104 mm
Material color: white



Square design frame PD11-FC

Art.No: 92994

Dimensions: 54 x 54 x 2.6 mm
Housing: polycarbonate, UV-resistant
Material color: white mat, similar to RAL9010



Cover ring PD11 (52 mm)

Art.No: 92537

Dimensions: Ø 52 x 3 mm
Housing: polycarbonate, UV-resistant
Material color: black, similar to RAL9005



Cover ring PD11

Art.No: 92692

Dimensions: Ø 100 x 3 mm
Housing: polycarbonate, UV-resistant
Material color: white mat, similar to RAL9010