



PD11-LTMS-RR-FC Set 92594-92833

- Voltage: 16 - 48 V DC
- Dimensions: \varnothing 52 x 60 mm + \varnothing 104 mm (92833)
- Power consumption: approx. 0.4 W

Order data

Designation	Colour	Art.No
PD11-LTMS-RR-FC	white	92594
In-wall mounting set / PD11	white	92833

Technical data

Voltage:	16 - 48 V DC
Dimensions:	Ø 52 x 60 mm + Ø 104 mm (92833)
Power consumption:	approx. 0.4 W
Detection area:	horizontal 360° (Ceiling mounting) max. Ø 9 m across max. Ø 6 m towards max. Ø 3 m seated
Range:	
Monitored area (tangential movement):	63 m ² / 2.5 m mounting height
Mounting height min./max./recommended:	2 m / 5 m / 2.5 m
Degree / class of protection:	IP20 / Class II
Impact strength:	IK02
Measured light output:	0 - 1000 Lux, 0-10 V, approx. 10 mV/ Lux
Temperatur Ausgabe:	0 °C - +50 °C, 0-10 V, approx. 200 mV/°C
Ambient temperature:	0 °C to +50 °C
Housing:	polycarbonate, UV-resistant
Material color:	white mat, similar to RAL9010

Channel 1 (lighting control, potential-free (dry))

Switching power:	48 V DC / 0.1 A , $\cos \varphi = 1$
Type of contact (k):	µ-contact, dry NO contact
Follow-up time:	5 sec - 60 min
Light measuring:	Mixed light measuring

Product information

Set : PD11-LTMS-RR-FC + In-wall mounting set /
PD11 white

Super flat multi-sensor for acquisition of data concerning
occupancy (presence), temperature, and brightness

For integration into proprietary bus system

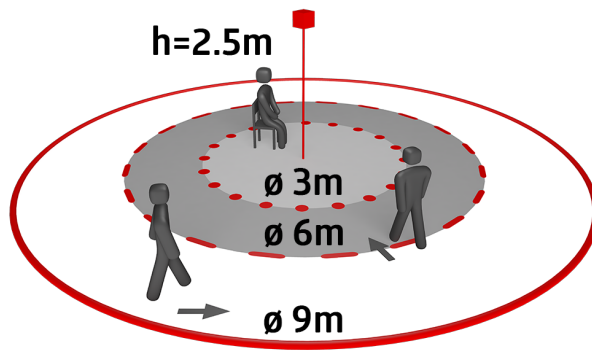
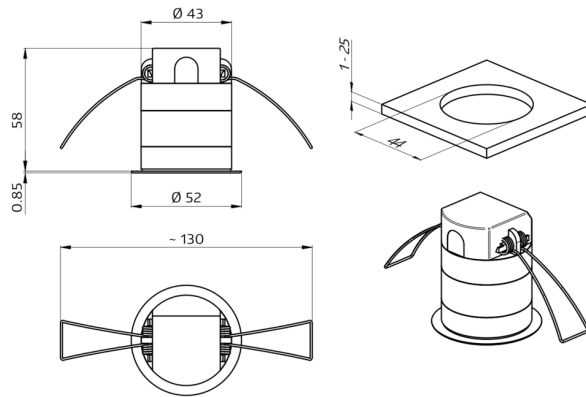
Output of motion detection via switch contact

Output of current light and temperature values as analogue
voltage

Spring clips for quick and easy installation in suspended
ceilings

Includes blinds and clamp ring for installation into light fittings

With accessories for flush-mounting in ceiling and exposed
concrete



Set items

To receive the bundle according to the technical specification, please order the items listed.



PD11-LTMS-RR-FC

Art.No: 92594

Voltage: 16 – 48 V DC

Dimensions: Ø 52 x 60 mm

Power consumption: approx. 0.4 W



In-wall mounting set / PD11

Art.No: 92833

Dimensions: Ø 104 mm

Material color: white