



PD11-LTMS-RR-FC Set 92594-92692

- Voltage: 16 - 48 V DC
- Dimensions: **Ø 52 x 60 mm + Ø 100 x 3 mm (92692)**
- Power consumption: approx. 0.4 W

Order data

Designation	Colour	Art.No
PD11-LTMS-RR-FC	white	92594
Cover ring PD11	white	92692

Technical data

Voltage:	16 - 48 V DC
Dimensions:	Ø 52 x 60 mm + Ø 100 x 3 mm (92692)
Power consumption:	approx. 0.4 W
Detection area:	horizontal 360° (Ceiling mounting) max. Ø 9 m across max. Ø 6 m towards max. Ø 3 m seated
Range:	
Monitored area (tangential movement):	63 m ² / 2.5 m mounting height
Mounting height min./max./recommended:	2 m / 5 m / 2.5 m
Degree / class of protection:	IP20 / Class II
Impact strength:	IK02
Measured light output:	0 - 1000 Lux, 0-10 V, approx. 10 mV/ Lux
Temperatur Ausgabe:	0 °C - +50 °C, 0-10 V, approx. 200 mV/°C
Ambient temperature:	0 °C to +50 °C
Housing:	polycarbonate, UV-resistant
Material color:	white mat, similar to RAL9010 (92692)

Channel 1 (lighting control, potential-free (dry))

Switching power:	48 V DC / 0.1 A , $\cos \phi = 1$
Type of contact (k):	μ -contact, dry NO contact
Follow-up time:	5 sec - 60 min
Light measuring:	Mixed light measuring

Product information

Set : PD11-LTMS-RR-FC + Cover ring PD11 white
mat, similar to RAL9010

Super flat multi-sensor for acquisition of data concerning
occupancy (presence), temperature, and brightness

For integration into proprietary bus system

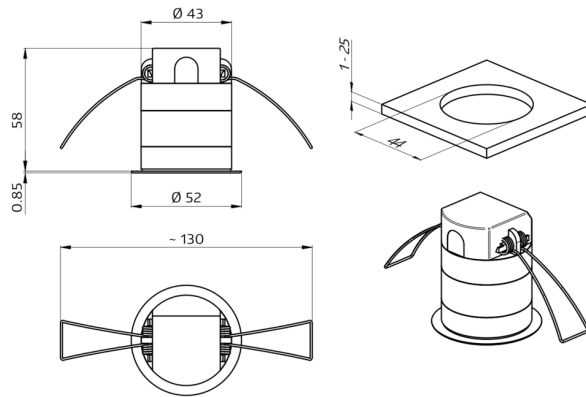
Output of motion detection via switch contact

Output of current light and temperature values as analogue
voltage

Spring clips for quick and easy installation in suspended
ceilings

Includes blinds and clamp ring for installation into light fittings

With accessories for flush-mounting in ceiling and exposed
concrete



Set items

To receive the bundle according to the technical specification, please order the items listed.



PD11-LTMS-RR-FC

Art.No: 92594

Voltage: 16 – 48 V DC

Dimensions: Ø 52 x 60 mm

Power consumption: approx. 0.4 W



Cover ring PD11

Art.No: 92692

Dimensions: Ø 100 x 3 mm

Housing: polycarbonate, UV-resistant

Material color: white mat, similar to RAL9010