

**B.E.G.****LUXOMAT<sup>®</sup>net**

## PD11-KNXs-FLAT-ST-FC Set 93522-92833-92537

- Voltage: via KNX BUS
- Dimensions:  $\varnothing 52 \times 48 \text{ mm} + \varnothing 104 \text{ mm}$  (92833) +  $\varnothing 52 \times 3 \text{ mm}$  (92537)
- Typ. power input: 12 mA

### Order data

Designation	Colour	Art.No
PD11-KNXs-FLAT-ST-FC	white	93522
In-wall mounting set / PD11	white	92833
Cover ring PD11 (52 mm)	black	92537

## Technical data

Voltage:	via KNX BUS <b>Ø 52 x 48 mm + Ø 104 mm (92833) + Ø 52 x 3 mm (92537)</b>
Dimensions:	
Typ. power input:	12 mA
Detection area:	horizontal 360° (Ceiling mounting) max. Ø 9 m across max. Ø 6 m towards max. Ø 3 m seated
Range:	
Monitored area (tangential movement):	63 m <sup>2</sup> / 2.5 m mounting height
Mounting height min./max./recommended:	2 m / 5 m / 2.5 m
Degree / class of protection:	IP54 / Class III
Impact strength:	IK02
Ambient temperature:	-25 °C to +55 °C
Housing:	polycarbonate, UV-resistant <b>black, similar to RAL9005 (92537)</b>
Material color:	
Number of light sensors:	1
Number of PIR sensors:	1
KNX TP 256:	Yes
KNX Secure:	Yes
Orientation light:	5 - 100 % / OFF / 1 min - 255 min
Night light:	5 - 100 %
Brightness set value:	5 - 2000 Lux

## Product information

Set : PD11-KNXs-FLAT-ST-FC + In-wall mounting set / PD11 white + Cover ring PD11 (52 mm) black, similar to RAL9005

Low profile KNX occupancy detector with integrated KNX bus connector

KNX Secure ready

Parameterisation from ETS 5 for integration into KNX systems

Individual adaption of the PIR sensor sensitivity

Mixed light measurement using internal and remote (optional) light sensors

Intelligent semi-automatic mode, occupancy-independent regulating mode (photoelectric switch), full automatic mode

1 x Light (for regulating or switching), 1 x slave output, 3 separate HVAC-blocs

Regulation of up to three lighting groups using offset (external influence possible)

Short presence, self-adjusting follow-up time, corridor function

Various locking functions

Soft-start

Recall of light scenes

Deactivatable status indicators

The product database for import into the ETS database can be downloaded from the B.E.G. homepage.

Detection area can be extended thanks to master-slave-mode

Extensive optimization options for light measurement

Measured light value is communicated to the bus

Adaption of dimming curve

Bidirectionally remote control-capable with the IR adapter and the B.E.G. smartphone app

PIN code

IR remote control-capable via IR remote control (optionally)

Programming button (phys. address) can be operated via remote control

HVAC mode (0=automatic, 1=comfort, 2=stand-by, 3=economy, 4=antifreeze/heat protection)

Manual influence via external KNX push buttons possible

Function control (heartbeat, cyclical sending)

Forced switch-off

Intelligent central-off function

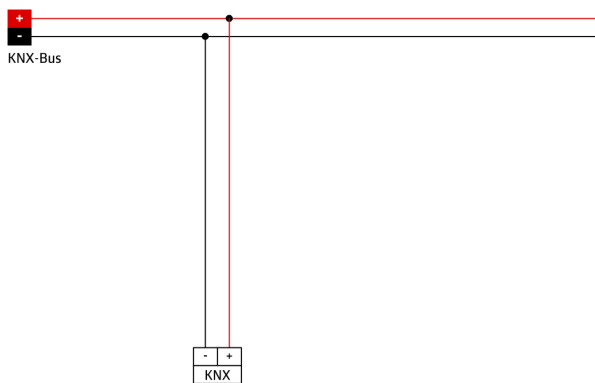
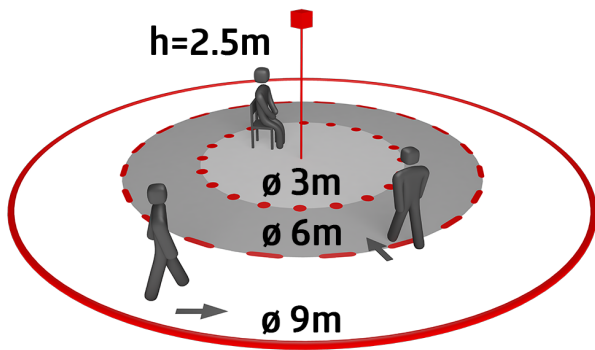
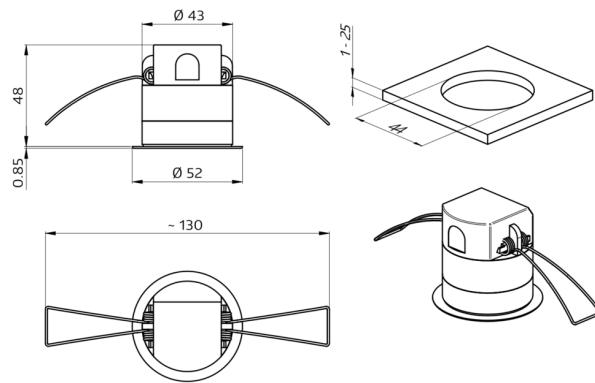
Premonition of switch-off

Burn-in function for fluorescent lamps selectable from 1h till 100h

Behaviour upon bus voltage return definable at choice

Variable safety pause after switching off the lights

Flush mounting with accessory 92833, surface mounting with accessories 92833 and 92121



## Set items

To receive the bundle according to the technical specification, please order the items listed.



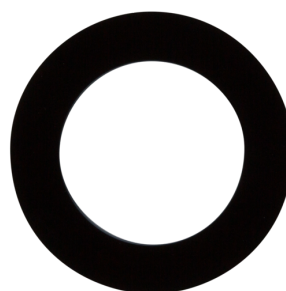
**PD11-KNXs-FLAT-ST-FC**  
Art.No: 93522

Voltage: via KNX BUS  
Dimensions: Ø 52 x 48 mm  
Typ. power input: 12 mA



**In-wall mounting set / PD11**  
Art.No: 92833

Dimensions: Ø 104 mm  
Material color: white



**Cover ring PD11 (52 mm)**  
Art.No: 92537

Dimensions: Ø 52 x 3 mm  
Housing: polycarbonate, UV-resistant  
Material color: black, similar to RAL9005