



## PD11-KNX-FLAT-DX-FC

Prod.No. 93392 EAN: 4007529933921

Low profile KNX occupancy detector with integrated KNX bus connector

1 x Light (for regulating or switching), 1 x slave output, 3 separate HVAC-blocs

Two logic modules

### Order data

Designation	Colour	Art.No
PD11-KNX-FLAT-DX-FC		93392

### Accessories

Designation	Colour	Art.No
BLE-IR-Adapter	black	93067
IR-PD-KNX	-	92123
IR-PD-KNX-Mini	-	93398
In-wall mounting set / PD11	white	92833
Square design frame PD11-FC	white	92994
Cover ring PD11	white	92692
Cover ring PD11 (52 mm)	black	92537
Surface mounting socket PD11	white	92121

## Technical data

Voltage:	via KNX BUS
Dimensions:	Ø 52 x 48 mm
Typ. power input:	12 mA
Detection area:	horizontal 360° (Ceiling mounting) max. Ø 9 m across max. Ø 6 m towards max. Ø 3 m seated
Range:	
Monitored area (tangential movement):	63 m <sup>2</sup> / 2.5 m mounting height
Mounting height min./max./recommended:	2 m / 5 m / 2.5 m
Degree / class of protection:	IP54 / Class III
Temperature measurement range:	-5 °C to +45 °C
Ambient temperature:	-25 °C to +55 °C
Housing:	polycarbonate, UV-resistant
Material color:	white mat, similar to RAL9010
Number of light sensors:	1
Number of PIR sensors:	1
KNX TP 256:	Yes
Orientation light:	5 - 100 % / OFF / 1 min - 255 min
Night light:	5 - 100 %
Brightness set value:	5 - 2000 Lux

## Product information

Low profile KNX occupancy detector with integrated KNX bus connector

1 x Light (for regulating or switching), 1 x slave output, 3 separate HVAC-blocs

Intelligent semi-automatic mode, occupancy-independent regulating mode (photoelectric switch), full automatic mode

Two logic modules

Individual adaption of the PIR sensor sensitivity

Measuring of mixed light thanks to internal light sensor

Various locking functions

Status LEDs can be activated / deactivated

Programming button (phys. address) can be operated via remote control

Regulation/switching of three light groups via offset (external influence possible)

Short presence, self-adjusting follow-up time, corridor function

Recall of light scenes

Temperature- and noise sensor

HVAC mode (0=automatic, 1=comfort, 2=stand-by, 3=economy, 4=antifreeze/heat protection)

5 button remote control, programmable at choice (accessory)

Occupancy simulation

Detection area can be extended thanks to master-slave-mode

Extensive optimization options for light measurement

Measured light value is communicated to the bus

IR remote control-capable via IR remote control (optionally)

PIN code

Manual influence via external KNX push buttons possible

Function control (heartbeat, cyclical sending)

Forced switch-off

Intelligent central-off function

Premonition of switch-off

Behaviour upon bus voltage return definable at choice

Variable safety pause after switching off the lights

Settings ex ETS 4 for integration in KNX systems

The product database for import into the ETS database can be

downloaded from the B.E.G. homepage.

Adaption of dimming curve

Determination of the reflection factor, e.g. on a desk, with the optional BLE-IR-Adapter

Burn-in function for fluorescent lamps selectable from 1h till 100h

Soft-start

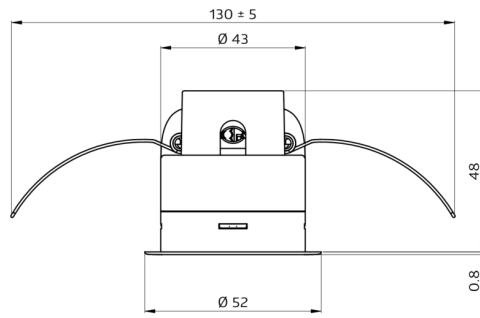
Spring clips for quick and easy installation in suspended ceilings

Includes blinds and clamp ring for installation into light fittings

Flush mounting with accessory 92833, surface mounting with accessories 92833 and 92121

**Application examples:**

small offices, conference rooms, underground car parks, entrance halls, corridors/hallways, staircases, open-plan offices



## Accessories



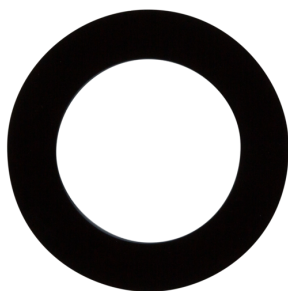
**BLE-IR-Adapter**  
Art.No: 93067

Dimensions: 40 x 55 x 103 mm  
Material color: black  
Frequency: 2.4 GHz ISM band, GFSK  
0.2 dBm + 5.3 dBi = 5.5 dBm



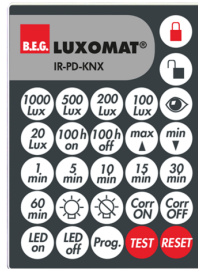
**In-wall mounting set / PD11**  
Art.No: 92833

Dimensions: Ø 104 mm  
Material color: white



**Cover ring PD11 (52 mm)**  
Art.No: 92537

Dimensions: Ø 52 x 3 mm  
Housing: polycarbonate, UV-resistant  
Material color: black, similar to RAL9005



**IR-PD-KNX**  
Art.No: 92123

Battery: 3.0 V Lithium CR2032 (inclusive)  
Dimensions: 80 x 60 x 8 mm  
Material color: -



**Square design frame PD11-FC**  
Art.No: 92994

Dimensions: 54 x 54 x 2.6 mm  
Housing: polycarbonate, UV-resistant  
Material color: white mat, similar to RAL9010



**Surface mounting socket PD11**  
Art.No: 92121

Degree / class of protection: IP54  
Housing: polycarbonate, UV-resistant  
Material color: white



**IR-PD-KNX-Mini**  
Art.No: 93398

Battery: 3.0 V Lithium CR2032 (inclusive)  
Dimensions: 57 x 35 x 7 mm  
Material color: -



**Cover ring PD11**  
Art.No: 92692

Dimensions: Ø 100 x 3 mm  
Housing: polycarbonate, UV-resistant  
Material color: white mat, similar to RAL9010